

FEATURES :

- 4:1 Wide Input Voltages Range
- High Efficiency up to 89%
- Regulated Output Types
- Internal SMD Construction
- Operating Temperature: -40°C TO +100°C
- Industry Standard Pinout
- Continuous Short Circuit Protection With Current Fold back

Specifications typical at TA=25°C, nominal input voltage and rated output current unless otherwise specified

Part Number	Input Voltage Range	Nominal Input Voltage	Output Voltage Range	Output Current	Efficiency
	Vdc	Vdc	Vdc	mA	%TYP
27DW-24S03R9W	9-36	24	3.3	2000	82
27DW-24S05R9W	9-36		5	1600	85
27DW-24S09R9W	9-36		9	1000	88
27DW-24S12R9W	9-36		12	750	88
27DW-24S15R9W	9-36		15	600	89
27DW-24S24R9W	9-36		24	375	89
27DW-48S03R9W	18-75	48	3.3	2000	82
27DW-48S05R9W	18-75		5	1600	85
27DW-48S09R9W	18-75		9	1000	89
27DW-48S12R9W	18-75		12	750	89
27DW-48S15R9W	18-75		15	600	89
27DW-48S24R9W	18-75		24	375	89
27DW-24D05R9W	9-36	24	±5	±800	86
27DW-24D12R9W	9-36		±12	±375	88
27DW-24D15R9W	9-36		±15	±300	88
27DW-48D05R9W	18-75	48	±5	±800	85
27DW-48D12R9W	18-75		±12	±375	88
27DW-48D15R9W	18-75		±15	±300	87

Input Specifications

Parameters	Conditions	Min	Typ	Max	Units
Voltage Types	24VIN(nom)	9	24	36	
	48VIN(nom)	18	48	75	
Input current at no load (Nominal input voltage)	24V models		9		mA
	48V models		4		
Filter	Capacitor				

YUAN DEAN SCIENTIFIC



DC-DC Converter

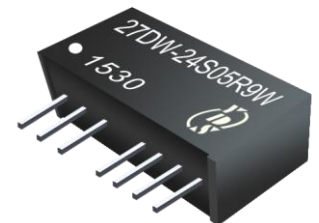
27DW-9W SERIES

9Watt 1.6KV Isolated

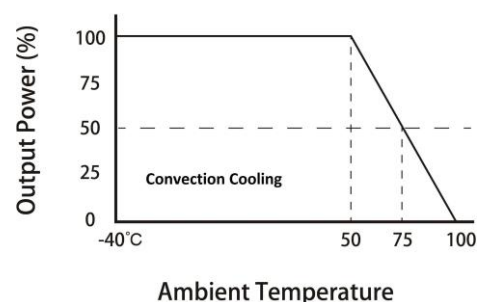
4 : 1 Input Voltage Range

Single & Dual Output

SIP8



Temperature Derating Graph



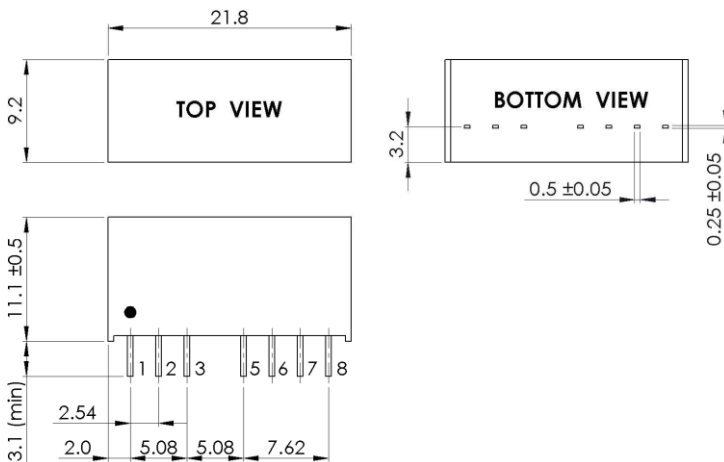
Output Specifications

Parameters	Conditions	Min	Typ	Max	Units
Voltage Tolerance	100% full load	-1.0		+1.0	%
Short Circuit Protection	Continuous, Auto-Recovery				
Line Regulation		-0.5		+0.5	%
Load Regulation	Single output models Dual output models	-1.0 -5.0		+1.0 +5.0	%
Ripple & Noise	Output:3-10V TYPES BW=DC To 20MHz			100	mVp-p
Ripple & Noise	Output > 10V TYPES BW=DC To 20MHz			1% of Vout	mVp-p
Transient response setting time	25% load step change		250		us

General Specifications

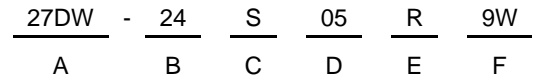
Parameters	Conditions	Min	Typ	Max	Units
Isolation Voltage			1600		Vdc
Isolation Resistance	500Vdc	1000			MΩ
Switching Frequency (Full load, nominal input)	Single Dual		400 500		KHz
Operating Temperature	With derating	-40		100	°C
Storage Temperature		-55		125	°C
Humidity	Non Condensing			95	%
Cooling	Free air Convection				
Case material	Plastic				
MTBF	MIL-HDBK-217F@25°C	2.696 x 10 ⁶			Hours
Weight			4.8		g
Dimensions		21.8X9.2X11.1			mm

Markings and dimensions



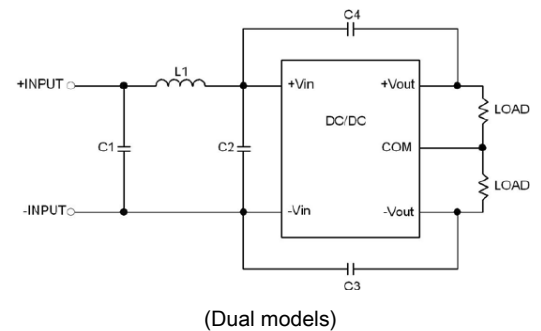
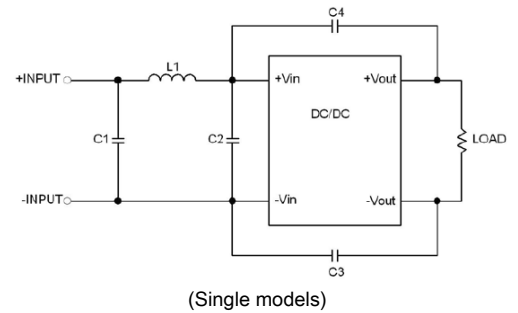
UNIT: mm
Tolerances are XX.X±0.5, XX.XX±0.25, the tolerance of Pin size is ±0.05

Part Number



- A : Series
- B : Input Voltage
- C : Single(S);Dual(D)
- D : Output Voltage
- E : Regulated(R)
- F : Watt

Recommended Test Circuit To Meet EN55022 Class A



PIN Assignment

Pin	1	2	3	5	6	7	8
Single	-Vin	+Vin	Ctrl	NC	+Vout	-Vout	NC
Dual	-Vin	+Vin	Ctrl	NC	+Vout	Com	-Vout