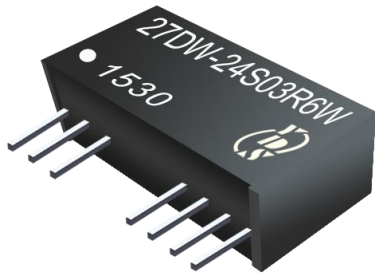




Yuan Dean Scientific CO.,LTD 27DW- 6W SERIES

6Watt Single & Dual Output Regulated 1500Vdc Isolation Dc-Dc Converter



FEATURES:

- 4:1 Wide Input Voltages Range
- High Efficiency up to 88%
- Regulated Output Types
- Internal SMD Construction
- Operating Temperature: -40°C TO +85°C
- Industry Standard Pinout
- Continuous Short Circuit Protection With Current Foldback.



Specifications typical at TA=25°C, nominal input voltage and rated output current unless otherwise specified

Part Number	Input Voltage Range	Nominal Input Voltage	Output Voltage Range	Output Current	Efficiency
	Vdc	Vdc	Vdc	mA	%TYP
27DW-24S03R6W	9-36	24	3.3	1500	81
27DW-24S05R6W	9-36		5	1200	84
27DW-24S09R6W	9-36		9	666	86
27DW-24S12R6W	9-36		12	500	87
27DW-24S15R6W	9-36		15	400	88
27DW-24S24R6W	9-36		24	250	87
27DW-48S03R6W	18-72	48	3.3	1500	81
27DW-48S05R6W	18-72		5	1200	84
27DW-48S09R6W	18-72		9	666	86
27DW-48S12R6W	18-72		12	500	87
27DW-48S15R6W	18-72		15	400	87
27DW-48S24R6W	18-72		24	250	87
27DW-24D05R6W	9-36	24	±5	±600	84
27DW-24D12R6W	9-36		±12	±250	87
27DW-24D15R6W	9-36		±15	±200	87
27DW-48D05R6W	18-72	48	±5	±600	84
27DW-48D12R6W	18-72		±12	±250	87
27DW-48D15R6W	18-72		±15	±200	87

Input Specifications

Parameters	Conditions	Min	Typ	Max	Units
Voltage Type				4:1	
Input current at no load (Nominal input voltage)	24V models 48V models		30 15		mA
Filter	Capacitor				

Output Specifications

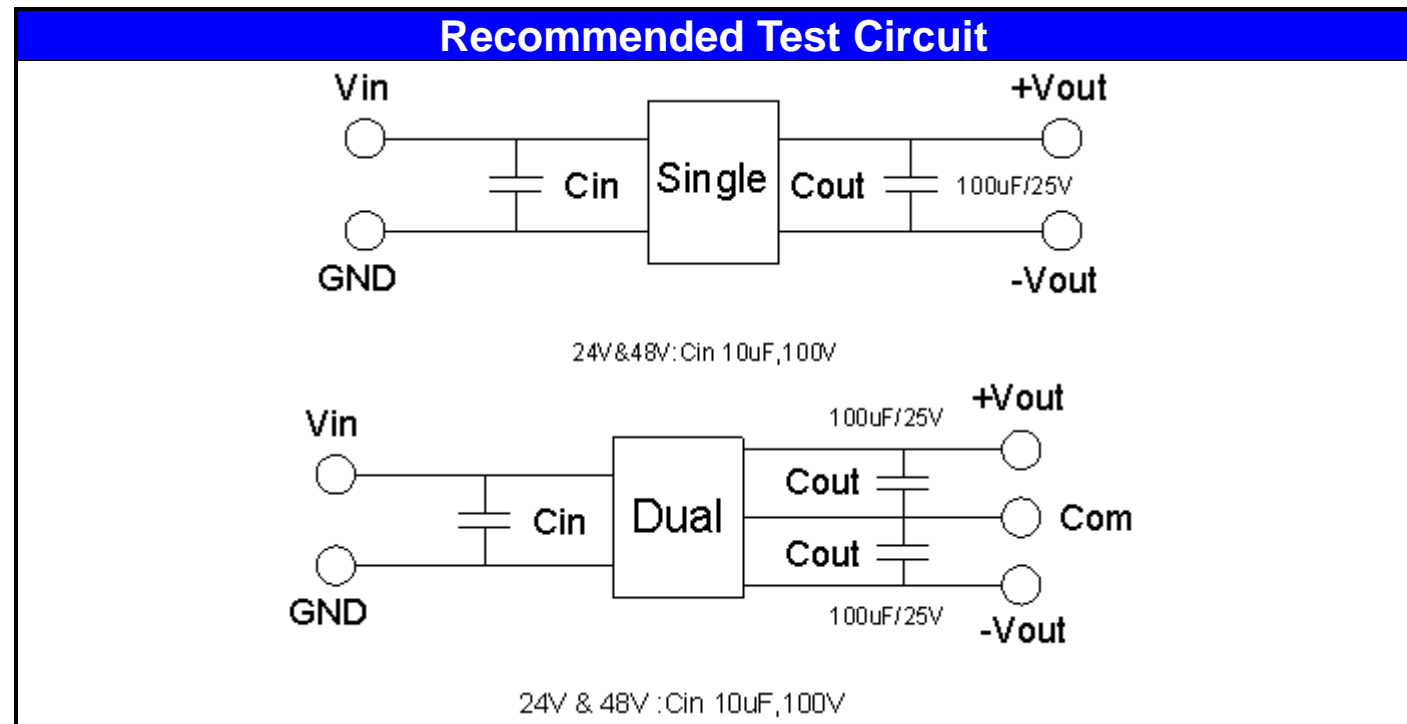
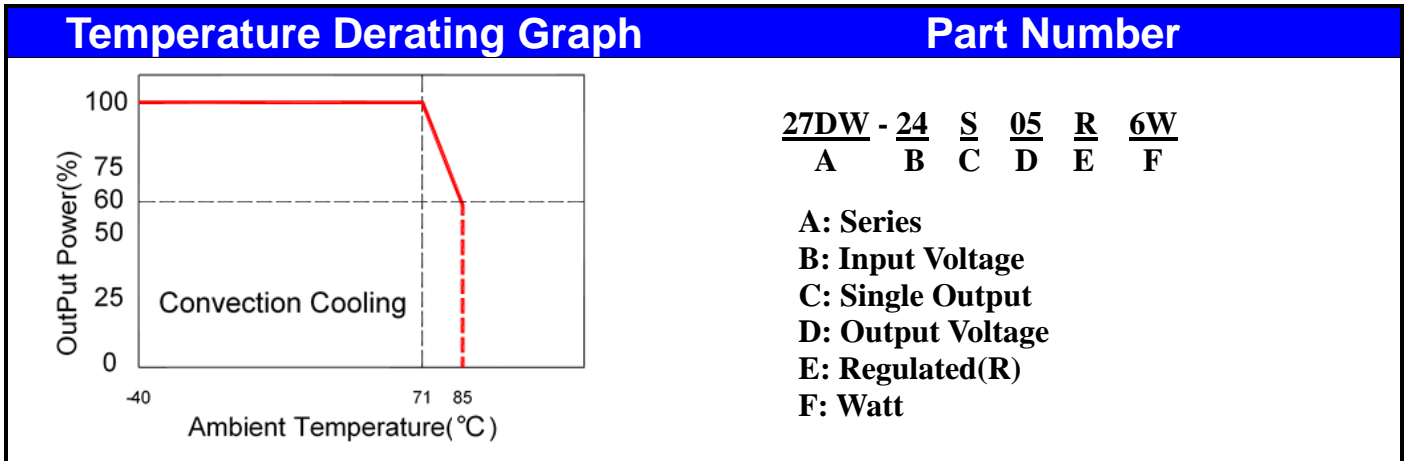
Parameters	Conditions	Min	Typ	Max	Units
Voltage Tolerance	100% full load			±2	%
Short Circuit Protection	Continuous, Auto-Recovery				
Line Regulation				±0.5	%
Load Regulation	Single output models Dual output models			±0.5 ±5	%
Ripple & Noise	Output: 3-10V TYPES BW=DC To 20MHz			100	mVp-p
Ripple & Noise	Output > 10V TYPES BW=DC To 20MHz			1% of Vout	mVp-p
Transient response setting time	50% load step change		350		us



Yuan Dean Scientific CO.,LTD 27DW- 6W SERIES

6Watt Single & Dual Output Regulated 1500Vdc Isolation Dc-Dc Converter

General Specifications					
Parameters	Conditions	Min	Typ	Max	Units
Isolation Voltage			1500		Vdc
Isolation Resistance	500Vdc	1000			MΩ
Switching Frequency	Full load,nominal input		500		KHz
Operating Temperature		-40		85	°C
Storage Temperature		-55		125	°C
Humidity	Non Condensing			95	%
Cooling	Free air Convection				
Case material	DAP				
MTBF	MIL-HDBK-217F@25°C	1500000			Hours
Weight			4.5		g
Dimensions		21.8X9.2X11.1			mm

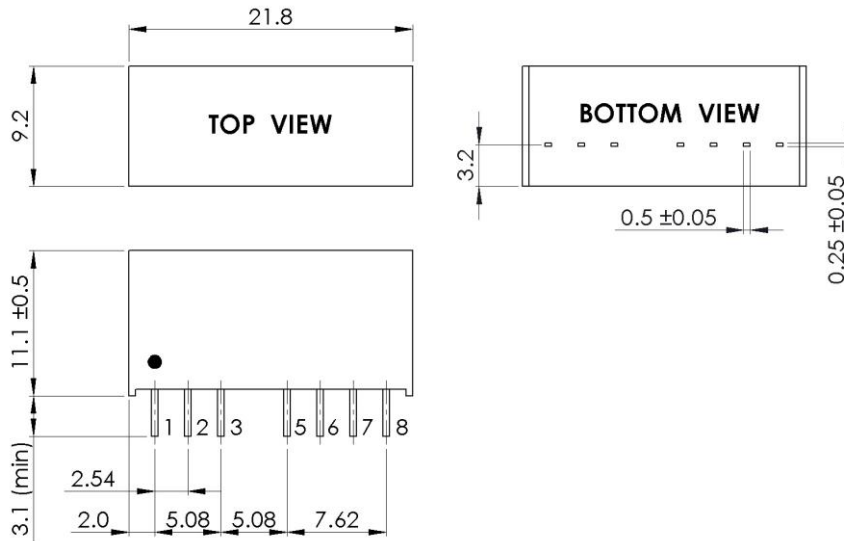




Yuan Dean Scientific CO.,LTD 27DW- 6W SERIES

6Watt Single & Dual Output Regulated 1500Vdc Isolation Dc-Dc Converter

Markings and Dimensions



UNIT: mm

tolerances are $XX.X \pm 0.5$, $XX.XX \pm 0.25$, the tolerance of Pin size is ± 0.05

PIN Assignment

PIN	1	2	3	5	6	7	8
Single	-Vin	+Vin	Ctrl	NC	+Vout	-Vout	NC
Dual	-Vin	+Vin	Ctrl	NC	+Vout	COM	-Vout