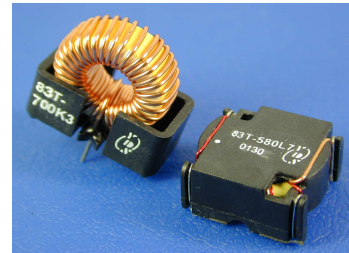


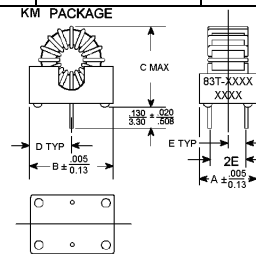
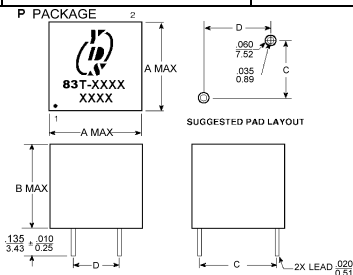
FEATURES

- Base material meets flammability Requirements of UL 94V-0
- Available in surface mount and through Hole versions
- Recognized by UL 1950



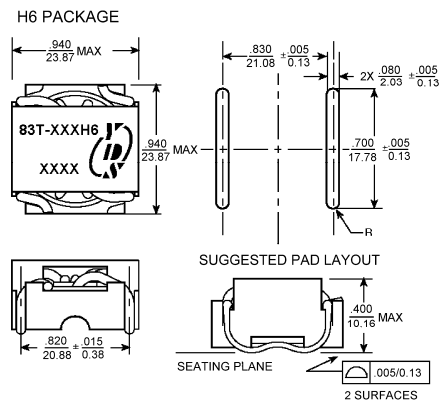
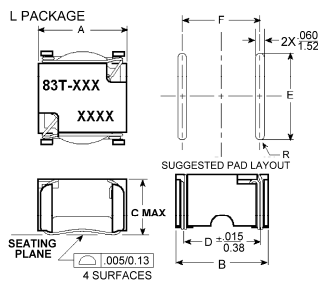
Electrical Specifications @25°C—Operating Temperature-30° to+130°C

THT Part Number	SMT Part Number	In Circuit Operating Parameters ¹			Nominal DCR (Ω)	Package	
		Nominal Inductance (μH)	Rated Current (Amps DC)	(Max ²) ETop (V-μ Sec)		Through Hole	Surface Mount
83T-259P2	83T-259L2	259	0.13	23.1	3.4	P2	L2
83T-178P2	83T-178L2	178	0.16	16.5	2.8	P2	L2
83T-118P2	83T-118L2	118	0.2	13.2	1.8	P2	L2
83T-790P2	83T-790L2	79	0.25	9.9	1.5	P2	L2



PGK	A	B	C	D
P2	.360	.310	.250	.250
	9.14	7.87	6.35	6.35
P3	.400	.300	.300	.300
	10.16	7.62	7.62	7.62
P7	.495	.375	.375	.375
	12.57	9.52	9.52	9.52
P4	.635	.365	.500	.300
	16.13	9.27	12.7	7.62

package	A	B	C	D	E	F
KM1	.340	.580	.650	.290	.110	.130
	8.64	8.64	8.64	7.37	2.79	3.30
KM2	.450	.650	.700	.325	.150	.130
	11.43	16.51	17.73	8.26	3.81	3.30
KM3	.450	.830	.950	.415	.150	.130
	11.43	21.08	24.13	10.54	3.81	3.30
KM4	.600	.950	1.1	.475	.275	.130
	15.24	24.13	27.94	12.07	5.72	3.30



PGK	A	B	C	D	E	F
L2	.340	.340	.270	.260	.300	.270
	8.64	8.64	6.86	6.60	7.62	6.86
L3	.435	.440	.360	.350	.400	.360
	11.05	11.18	9.14	8.89	10.16	9.14
L7	.565	.570	.360	.450	.520	.460
	14.35	14.48	9.14	11.43	13.21	11.68
L4	.600	.620	.340	.550	.550	.510
	15.24	15.75	8.64	12.7	13.97	12.95
L5	.670	.700	.390	.580	.620	.590
	17.02	17.78	9.91	14.73	15.75	14.99