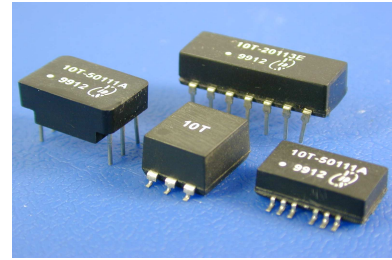


T TEST CONDITIONS

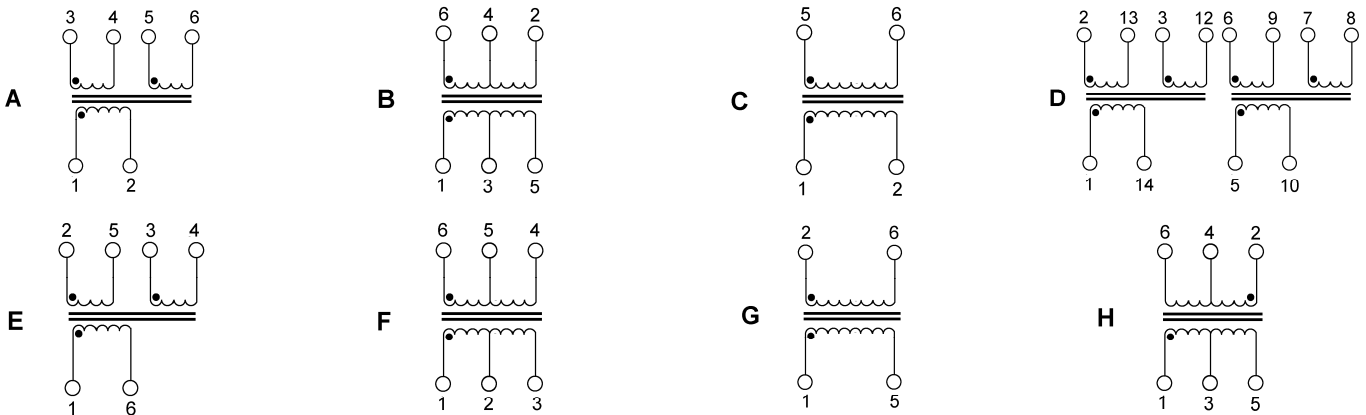
- Recognized by UL 60950-1
- Inductance ----- 100KHz/20mV
- Leakage Inductance ----- 100KHz/0.2V
- Interwinding Capacitance -- 100KHz/0.2V



ELECTRICAL SPECIFICATIONS @20°C-Operating temperature 0°C TO 70°C

PART NUMBER	TURNS RATIO (±5%)	PRIMARY SINE WAVE OCL (mH MIN)	PRIMARY ET-CONSTANT (V-μsec) min	RISE TIME (nsec) max	PRI/SEC C _{ww} (pF MAX)	LEAKAGE INDUCTANCE PRI/SEC (μH MAX)	DCR PRIMARY (Ω MAX)	DCR SECONDARY (Ω MAX)	DCR TERTIARY (Ω MAX)	HI POT Vrms
10T-50211A	1:1:1	5.0	25.0	10.5	70	1.3	3.9	3.9	3.9	500
10T-20211A	1:1:1	2.0	16.0	8.2	37	0.8	2.5	2.5	2.5	500
10T-85012D	1:1:1 dual	.085	2.5	3.0	9.5	0.2	0.20	-	-	500
10T-50221A	1:1:1	5.0	25.0	10.5	60	1.3	3.9	3.9	3.9	500
10T-20221A	1:1:1	2.0	16.0	11.0	19	1.8	2.5	1.4	1.4	500
10T-50113E	1:1:1	0.5	5.0	4.2	25	0.3	0.9	0.9	0.9	1500

SCHEMATICS



MARKINGS AND DIMENSIONS

