



T1/CEPT/ISDN-PRI TRANSFORMER DUAL THROUGH HOLE, 1500Vrms

### FEATURES

- FOR T1/CEPT TELECOM APPLICATIONS.
- PROVIDE 1500Vrms ISOLATION.
- COMPACT SINGLE AND DUAL PACKAGES.
- DESIGNED TO MEET CCITT & FCC.
- RECOGNIZED BY UL 1950.

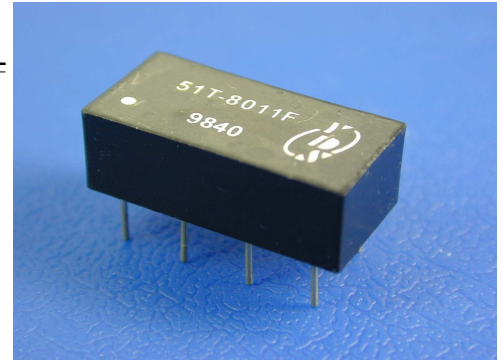
### TEST CONDITIONS

- Inductance -----100KHz/20mV
- Leakage Inductance -----100KHz/200mV
- Interwinding Capacitance --100KHz/200mV

Part Number:

51T - 122 1 A NL  
A B C D E

A:Series  
B:Inductance  
C:Sequence id  
D:Schematic  
E:RoHS Version



### ELECTRICAL SPECIFICATIONS @25°C

PART NUMBER	TURNS RATIO ±5%	OCL @25°C (mH MIN)	Cw/w (pF MAX)	LL (uH MAX)	DCR PRI (Ω MAX)	DCR SEC (Ω MAX)	PACKAGE/ SCHEMATIC	PRIMARY PINS
-------------	-----------------	--------------------	---------------	-------------	-----------------	-----------------	--------------------	--------------

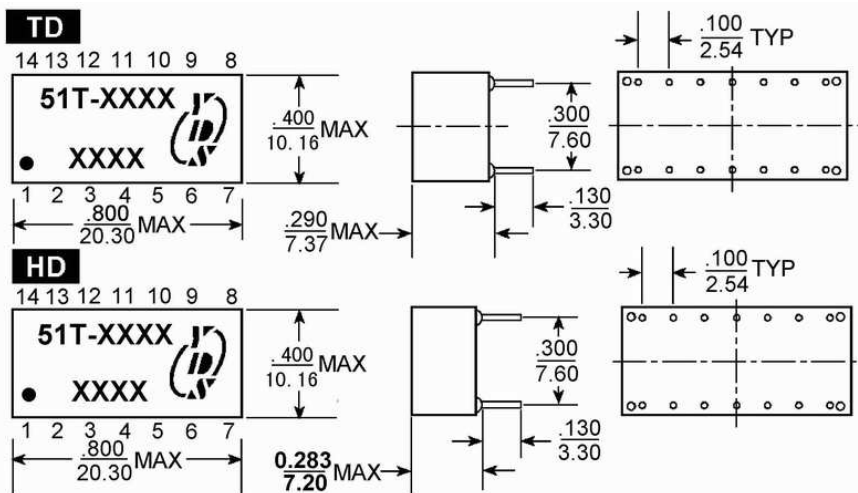
#### STANDARD TEMPERATURE RANGE DUAL TRANSFORMERS-OPERATING TEMPERATURE 0°C TO +70°C

51T-1221A	1:2CT&1:2CT	1.20&1.20	35&35	0.50&0.50	0.70&0.70	1.20&1.20	HD/A	14-12,5-7
51T-1221B	1:2CT&1:1.36	1.20&1.20	35&35	0.50&0.80	0.80&0.80	1.20&1.00	HD/B	14-12,5-7
51T-2021C	1:2CT&1:2CT	2.00&2.00	50&50	0.60&0.60	1.00&1.00	2.00&2.00	HD/C	14-12,10-8
51T-1221D	1CT:2CT&1:1	1.20&1.20	30&30	0.3~0.5&0.5	0.70&0.70	1.20&0.70	HD/D	1-3,5-7
51T-8011E	1:1.26CT&1.58:1	0.80&0.80	30&30	0.50&0.50	0.60&0.60	0.70&0.30	HD/E	1-3,5-7
51T-8012E	1:1CT&2:1	0.80&0.80	30&30	0.60&0.60	0.50&0.50	0.50&0.20	HD/E	1-3,5-7
51T-1223E	1:1.31CT&2.62:1	1.20&1.20	30&30	0.8&0.80	0.60&0.60	0.50&0.30	HD/E	1-3,5-7
51T-1522A	1:1.15CT&1:2CT	1.50&1.20	35&40	0.60&0.50	0.70&0.70	1.10&1.30	TD/A	14-12,5-7
51T-1523A	1:1/1.26&1:2CT	1.50&1.20	40&40	0.50&0.40	0.70&0.70	0.90&1.30	TD/A	14-12,5-7

#### STANDARD TEMPERATURE RANGE DUAL TRANSFORMERS-OPERATING TEMPERATURE -40°C TO +85°C

51T-1522AT	1:1.15CT&1:2CT	1.50&1.20	40&60	0.80&0.80	0.90&0.90	1.00&1.70	TD/A	14-12,5-7
51T-1523AT	1:1/1.26&1:2CT	1.50&1.20	50&60	0.80&0.80	0.90&0.90	1.00&1.70	TD/A	14-12,5-7
51T-1221GT	1CT:2CT&1:1.36CT	1.20&1.20	50&50	0.80&0.80	1.00&1.00	1.70&1.20	TD/G	14-12,5-7
51T-1221FT	1CT:1CT&3CT:1CT:0.25	1.20&32.0	40&65	0.80&0.80	1.00&3.00	1.00&1.20	TD/F	1-3,11-9
51T-1222FT	1CT:1CT&1CT:3CT:1	1.20&0.60	40&40	0.80&0.80	1.00&0.80	1.00&2.00	TD/F	1-3,4-6

### MARKINGS AND DIMENSIONS



### SCHEMATICS

