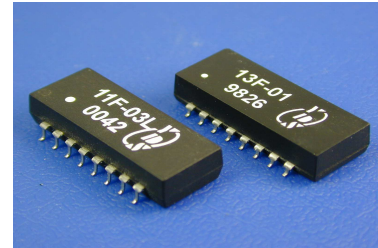




## 10/100BASE-T SINGLE PORT TRANSFORMER MODULES

### FEATURES

- Meets all IEEE 802.3 and ANSI X3.236 standards including 350  $\mu$  H OCL with 8 mA bias.
- IC grade transfer-molded package withstands 235°C IR reflow.
- Patented Interlock Base construction for high reliability.
- Recognized by UL 1950.

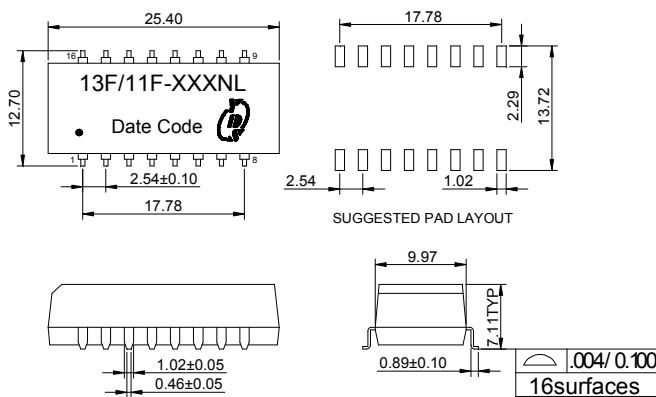


### ELECTRICAL SPECIFICATIONS @25°C-Operating temperature 0°C TO 70°C

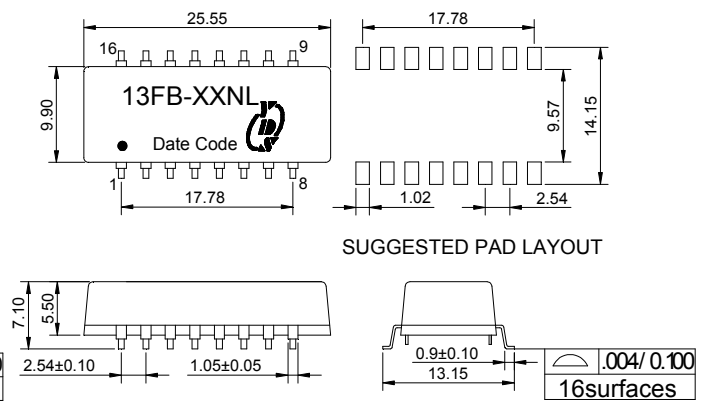
Part Number	Insertion Loss (dB MAX.)	Return Loss (dB MIN @100 $\Omega$ )				Differential to Common Mode Rejection (dB MIN)			Crosstalk (dB TYP)			Hipot (V <sub>RMS</sub> min)
		0.1-100MHz	1-30 MHz	40 MHz	50 MHz	60-80 MHz	30 MHz	60 MHz	100 MHz	30 MHz	60 MHz	
13F-01L	-1.0	-18	-18	-16	-12	-50	-45	-40	-50	-40	-40	1500
13F-02	-1.0	-20	-20	-18	-14	-42	-36	-33	-50	-40	-40	1500
13F-04	-1.0	-22	-20	-18	-12	-45	-40	-35	-50	-40	-40	1500
13F-05	-1.0	-16	-13.5	-11.5	-10	-45	-45	-35	-40	-38	-35	1500
13F-05A	-1.0	-16	-13.5	-11.5	-10	-45	-45	-35	-40	-38	-35	1500
13F-07	-1.0	-22	-20	-18	-12	-45	-40	-35	-50	-40	-40	1500
13F-07A	-1.0	-18	-13.5	-11.5	-10	-42	-37	-33	-50	-40	-40	1500
13F-07C	-1.0	-20	-20	-18	-14	-42	-36	-33	-50	-40	-40	1500
13F-08	-1.0	-22	-20	-18	-12	-42	-38	-32	-50	-40	-40	1500
13F-08A	-1.15	-16	-14	-12	-12	-40	-40	-35	-38	-38	-38	1500
13F-09C	-1.0	-18	-13.5	-11.5	-10	-42	-37	-33	-50	-40	-40	1500
13F-10C	-1.0	-18	-13.5	-11.5	-10	-42	-37	-33	-50	-40	-40	1500
11F-03L	-1.0	-18	-16	-15	-12	-45	-40	-35	-50	-40	-40	1500
11F-04	-1.0	-20	-18	-18	-14	-45	-40	-35	-45	-40	-35	1500
13F-01D	-1.0	-16	-13.5	-11.5	-10	-45	-45	-35	-40	-35	-30	1500

### MARKINGS AND DIMENSION

#### Molding



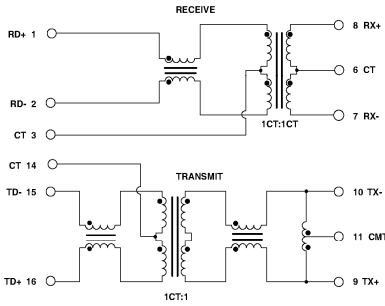
#### Bottom Potting



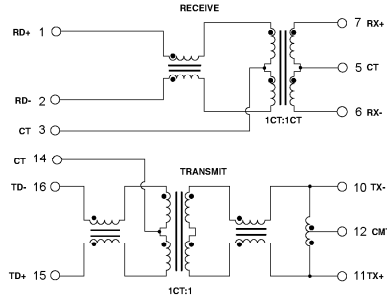


## 10/100BASE-T SINGLE PORT TRANSFORMER MODULES SCHEMATICS

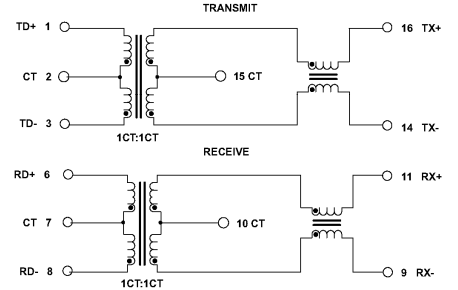
### 13F-05



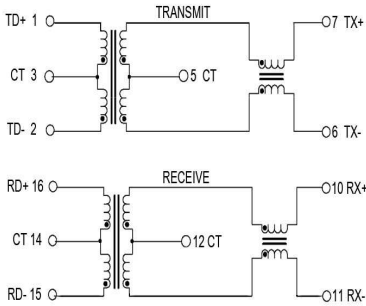
### 13F-05A



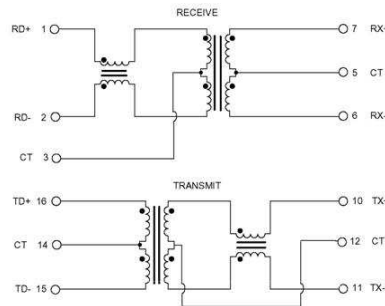
### 13F-07, 13F-10C



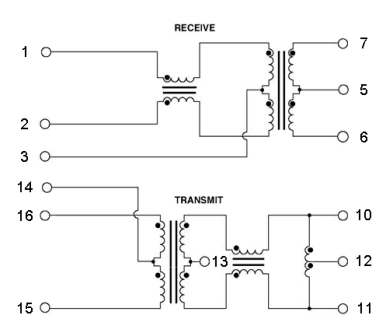
### 13F-07C



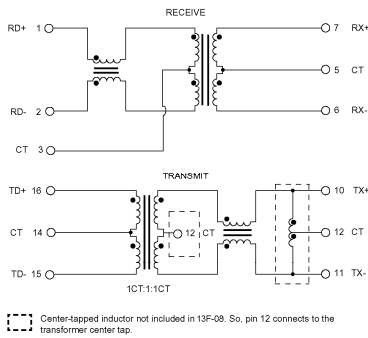
### 13F-08



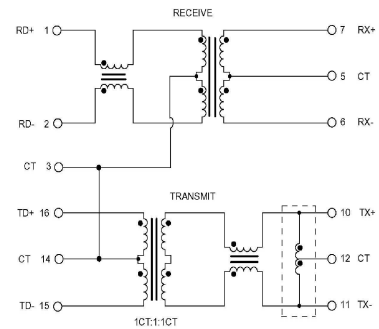
### 13F-08A



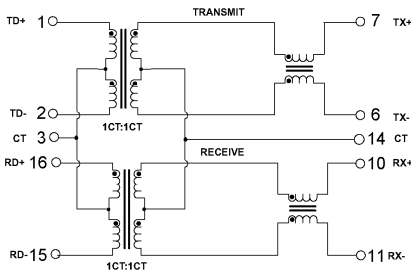
### 13F-01L, 13F-02, 13F-04, 13F-08, 13F-09C



### 13F-01D



### 11F-07A



### 11F-03L, 11F-04

