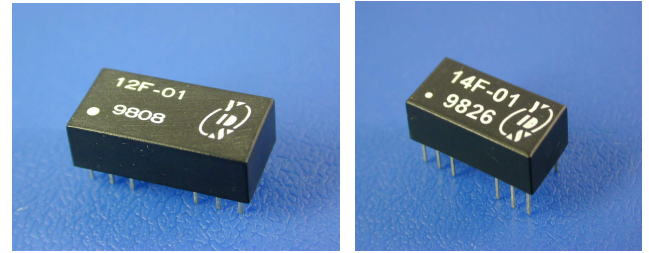


### FEATURES

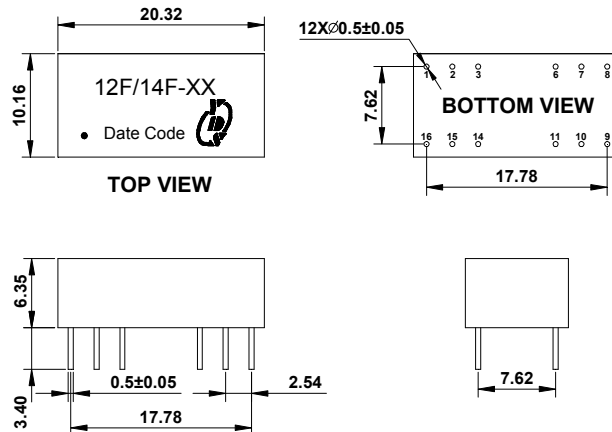
- For MAUs, hubs, and motherboard applications.
- High performance for maximum EMI suppression.
- Minimum 1500 Vrms isolation.
- Compatible with multiple 10Base-T chips.



### Electrical Specifications @25°C -Operating Temperature 0°C to 70°C

PART NUMBER	Package Type (Pins)	Insertion Loss 1 to 10 MHz (dB MAX)	Attenuation (dB MIN)				Return Loss 1 to 10MHz 100Ω±15Ω (dB MIN)	Cross talk 1 to 30 MHz (dB MIN)	Common Mode Rejection (dB MIN)	
			30-50 MHz		50-100MHz				50MHz	100MHZ
			TX	RX	TX	RX				
12F-01	DIL(16)	-1.0	-30	-15	-35	-20	-15	-30	-35	-30
14F-01	DIL(16)	-1.0	-30	-15	-35	-20	-15	-30	-35	-30

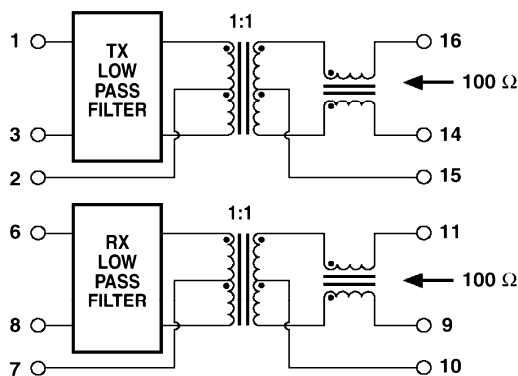
### MARKINGS AND DIMENSION



UNIT:mm Unless other specified, all tolerances are ±0.25

### PIN CONNECTION

#### 12F-01



#### 14F-01

