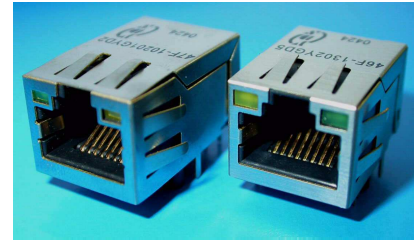




## THROUGH HOLE TAB-UP RJ-45 JACK WITH 10/100/1000

### FEATURES

- 1X1 Tab-UP, 0.85" & 1" long with internal magnetics for 10/100/1000 Base-TX
- 350uH minimum OCL with 8mA bias current
- Internal magnetics options available
- Minimum 1500Vrms isolation
- Recognized by UL 60950-1

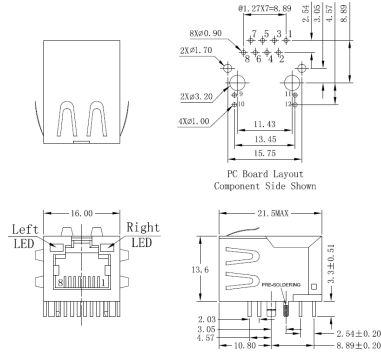


### ELECTRICAL SPECIFICATIONS @25°C -Operating temperature 0°C TO 70°C

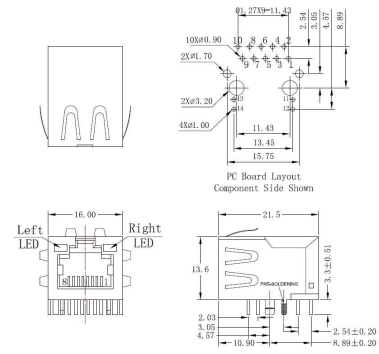
| Part Number  | Turns Ratio |         | Insertion Loss (dB MAX) | Return Loss (dB MIN @100Ω±15Ω) |          |        |        | Differential to Common Mode Rejection (dB MIN) |        |        | Cross talk (dB MIN) |        |        | Hipot (VRMS) |
|--------------|-------------|---------|-------------------------|--------------------------------|----------|--------|--------|--|--------|--------|---------------------|--------|--------|--------------|
|              | TX          | RX      |                         | 0.3-100MHz                     | 1-30 MHz | 40 MHz | 50 MHz | 60-100 MHz                                     | 30 MHz | 60 MHz | 100 MHz             | 30 MHz | 60 MHz |              |
| 46F-1301GDD2 | 1CT:1CT     | 1CT:1CT | -1.2                    | -16                            | -13.5    | -11.5  | -10    | -35  | -32    | -30    | -40                 | -36    | -30    | 1500         |
| 46F-1201YGD2 | 1CT:1       | 1CT:1CT | -1.2                    | -14                            | -14      | -14    | -10    | -35  | -32    | -30    | -40                 | -36    | -30    | 1500         |

### MARKINGS AND DIMENSION

#### 46F-12XX

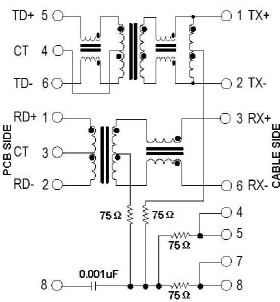


#### 46F-13XX

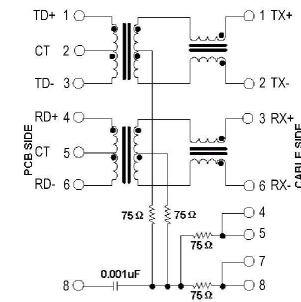


### SCHEMATICS

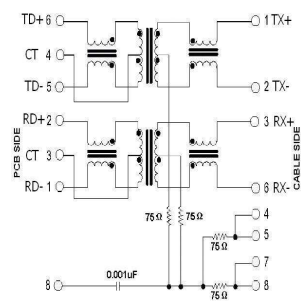
#### 46F-1201



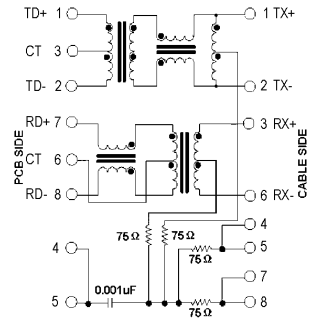
#### 46F-1202



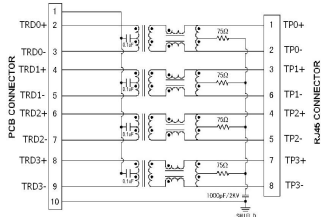
#### 46F-1203



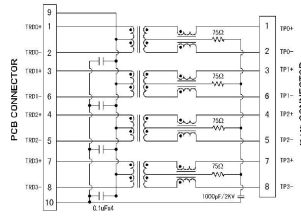
#### 46F-1206



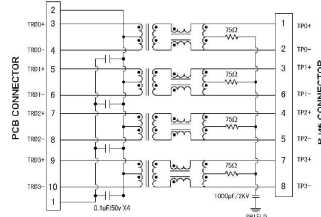
#### 46F-1305



#### 46F-1306



#### 46F-1308



#### 46F-1316

