

### FEATURES

- Magnetic designs to support every PHY
- Meet or exceed IEEE 802.3 and ANSI X3.263 standards including 350uH min OCL with 8mA bias
- Minimum 1500Vrms isolation per IEEE 802.3 requirement
- Designed for 100 base transmission over UTP-5 cable
- Size same as RJ-45 modular jack to save PCB board Space
- Recognized by UL 60950-1

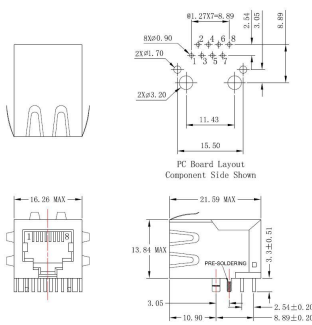


### ELECTRICAL SPECIFICATIONS @25°C -Operating temperature 0°C TO 70°C

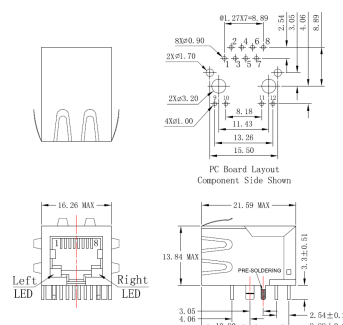
Part Number	Turns Ratio ±5%		EMI Fingers	LED (L/R)	Insertion Loss (dB max)					Return Loss (dB min @100Ω±15Ω)			Crosstalk (dB min)			Common Mode Rejection (dB min)			Hipot (V <sub>rms</sub> )
	TX	RX			0.3-100 MHz	1-30 MHz	40 MHz	50 MHz	60-80 MHz	30 MHz	60 MHz	100 MHz	30 MHz	60 MHz	100 MHz				
13F-60CND2NL	1CT:1CT	1CT:1CT	YES	N/A	-1	-18	-16	-12	-10	-40	-35	-30	-30	-20	-20	1500			
13F-64GYD2NL	1CT:1CT	1CT:1CT	YES	G/Y	-1	-18	-16	-12	-10	-40	-35	-30	-30	-20	-20	1500			
13F-604NDZ2NL	1CT:1CT	1CT:1CT	YES	N/A	-1	-18	-16	-12	-10	-40	-35	-30	-30	-20	-20	1500			

### Mechanicals and Dimensions

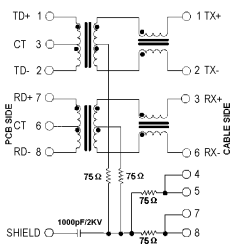
#### 13F-604NDZ2NL



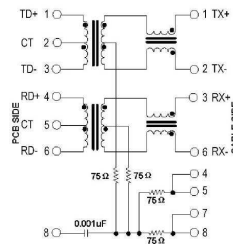
#### 13F-64GYD2NL



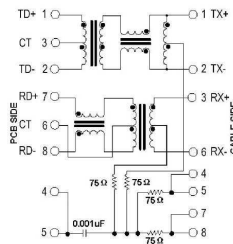
#### 13F-60X



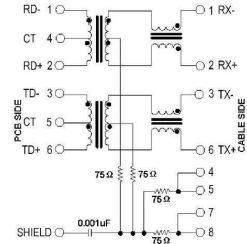
#### 13F-61X



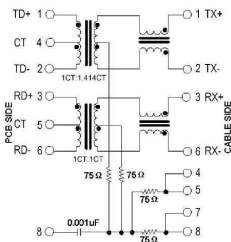
#### 13F-62X



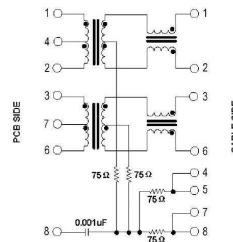
#### 13F-63X



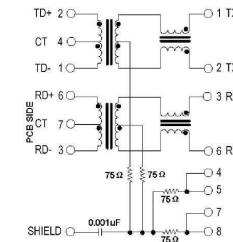
#### 13F-64X



#### 13F-65X



#### 13F-66X



#### 13F-67X

