



### THROUGH HOLE RJ45 /Single USB JACK WITH 10/100 MAGNETIC

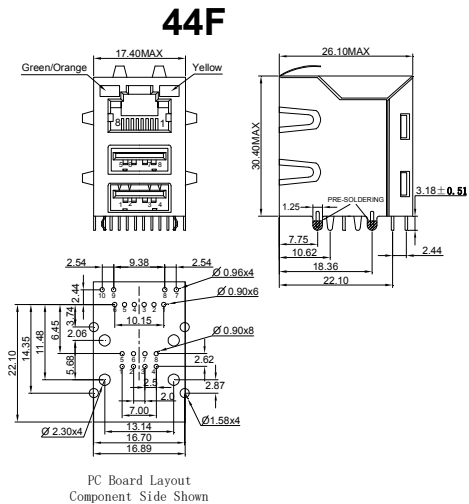
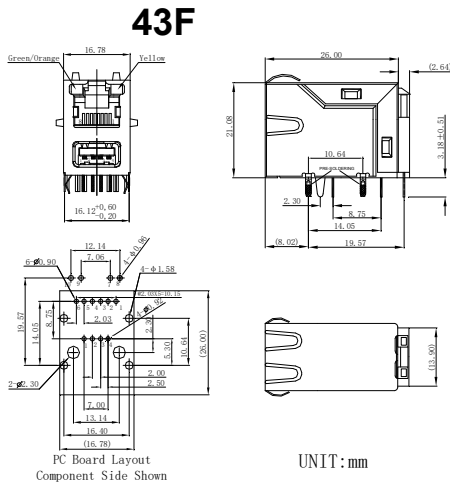
#### FEATURES

- LAN interface suitable for 10/100Base-TX applications
- RJ45/USB stacked design saves on PCB real estate
- USB module complies with USB 2.0 standards and meets CAT5 Fast Ethernet industry performance standard
- Magnetics are 100% electrically tested for HI-POT and continuity
- Meets or exceeds IEEE 802.3 and ANSI X3.263 standards including 350  $\mu$ H minimum OCL with 8 mA bias



ELECTRICAL SPECIFICATIONS @25°C-Operating temperature 0°C TO 70°C									
Part Number	Turns Ratio ( $\pm 5\%$ )		Insertion Loss (dB MAX)	Return Loss (dB MIN@100 $\Omega$ $\pm$ 15 $\Omega$ )			Crosstalk (dB TYP)	CMR (dB MIN)	Hipot (Vrms)
	TX	RX		1-100 MHz	1-30 MHz	30-60 MHz			
43F-1201DYD2NL	1CT:1CT	1CT:1CT	-1.0dB	-18dB	-18+20Log(F/30MHz)	-12dB	-35dB	-30dB	1500
44F-10101DYD2	1CT:1	1CT:1CT	-1.0dB	-16dB	-16+20Log(F/30MHz)	-12dB	-30dB	-20 dB	1500

#### Mechanicals



#### Schematics

