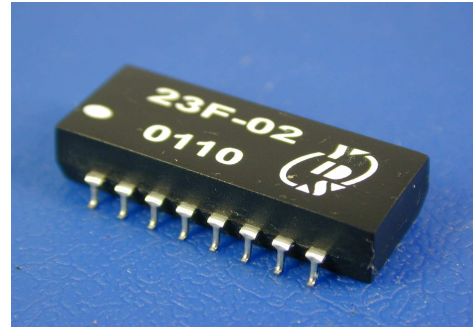


FEATURES

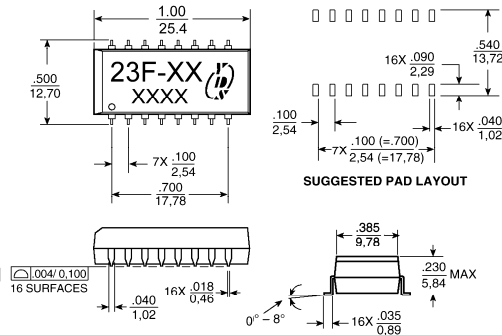
- Low profile surface mount package
- 235°C peak infrared reflow temperature rating.



Electrical Specifications @25°C -Operating Temperature 0°C to +70°C

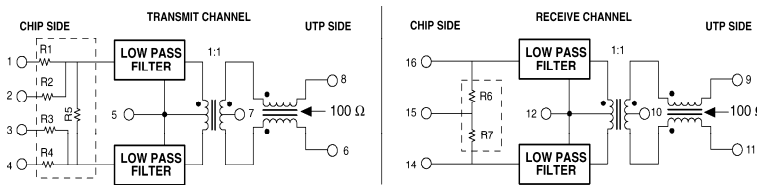
PART NUMBER	Insertion Loss 1 to 10 MHz (dB MAX)	Attenuation (XMIT) (dB MIN)			Return Loss 5 to 10MHz (dB MIN)		Crosstalk (dB MIN)	Common Mode Rejection (dB MIN)					Hi-Pot (Vrms MIN)
		30MHz	40MHz	100MHz	100Ω	98±13Ω		5-10MHz	5MHz	10MHz	50MHz	100MHz	
23F-02	-1.0	-30	-35	-35	-18	-15	-35	-60	-60	-55	-50	-45	1500
23F-03	-6.0	-35	-35	-35	-18	-15	-35	-60	-60	-55	-50	-45	1500
23F-04	-6.5	-35	-35	-35	-18	-15	-35	-60	-60	-55	-50	-45	1500
23F-05	-1.0	-30	-27	-27	-18	-15	-30	-40	-30	-50	-45	-	1500
23F-06	-5.5	-30	-30	-35	-18	-15	-30	-35	-30	-55	-50	-	1500
23F-07	-6.0	-30	-27	-27	-18	-15	-25	-40	-35	-45	-30	-	1500
23F-08	-5.0	-30	-35	-40	-18	-15	-25	-35	-30	-55	-50	-	1500
23F-09	-5.0	-30	-35	-40	-18	-15	-25	-35	-30	-55	-50	-	1500
23F-10	-1.0	-30	-27	-27	-18	-15	-35	-40	-35	-45	-45	-	1500

MARKINGS AND DIMENSION



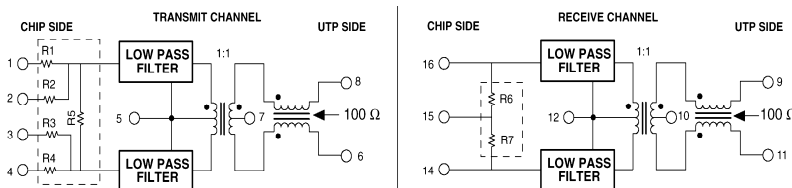
PIN CONNECTION

23F-02,23F-03,23F-04



The 23F-02 does not contain resistors. They are an external configuration.

23F-10,23F-05



The 23F-02 does not contain resistors. They are an external configuration.