

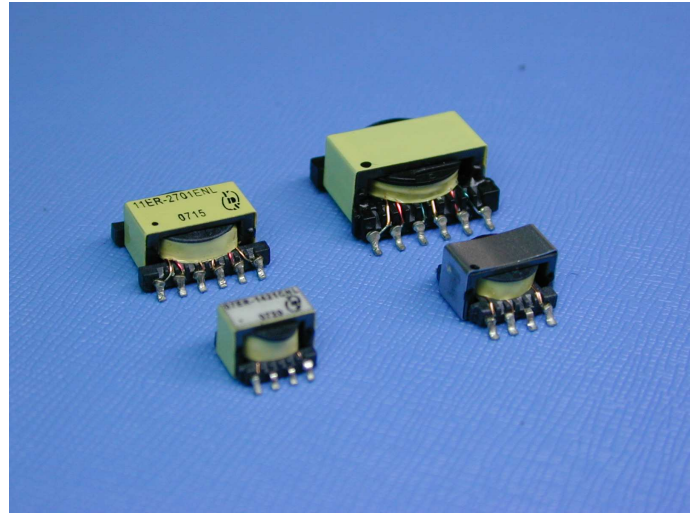
FEATURES

- HIGH FREQUENCY POWER TRANSFORMER
- HIGH FREQUENCY SWITCHING TRANSFORMER
- INDUCTORS TRANSFORMER
- WIDE VARIETY OF OTHER SIZES AND VALUES AVAILABLE

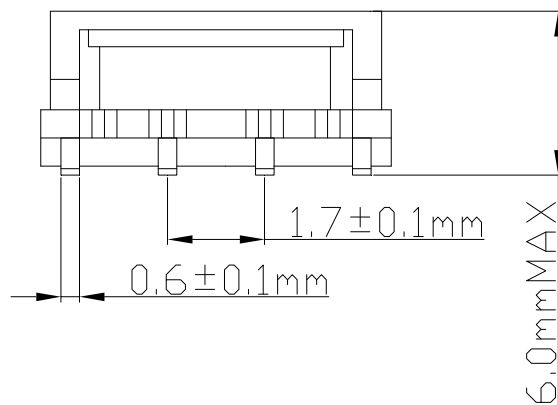
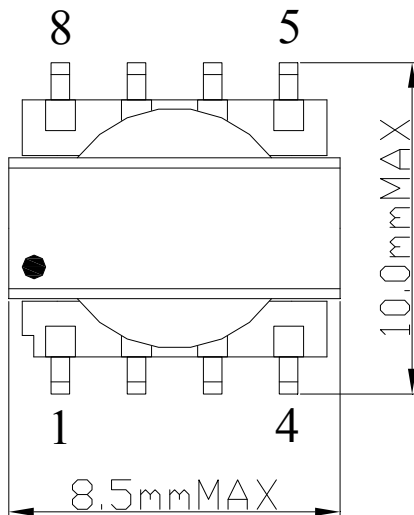
Part Number: 07ER

07ER - 142 1 C NL
 A B C D E

A:Series
 B:Inductance
 C:Sequence id
 D:Schematics
 E:ROHS



MARKINGS AND DIMENSION



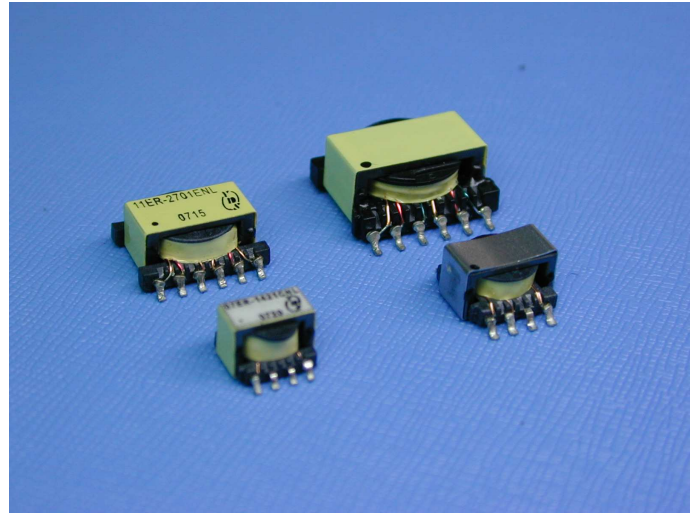
FEATURES

- HIGH FREQUENCY POWER TRANSFORMER
- HIGH FREQUENCY SWITCHING TRANSFORMER
- INDUCTORS TRANSFORMER
- WIDE VARIETY OF OTHER SIZES AND VALUES AVAILABLE

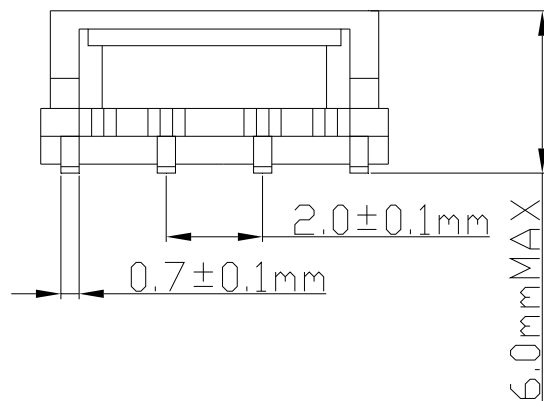
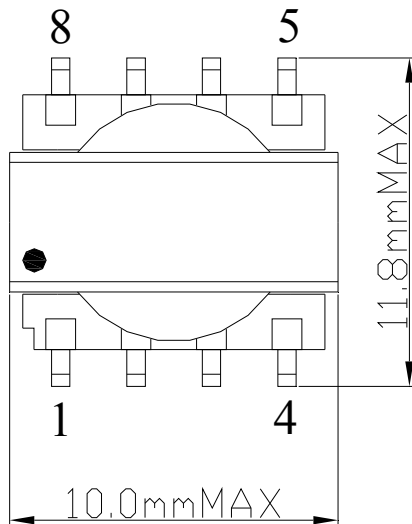
Part Number: 09ER

07ER - 142 1 C NL
 A B C D E

A:Series
 B:Inductance
 C:Sequence id
 D:Schematics
 E:ROHS



MARKINGS AND DIMENSION



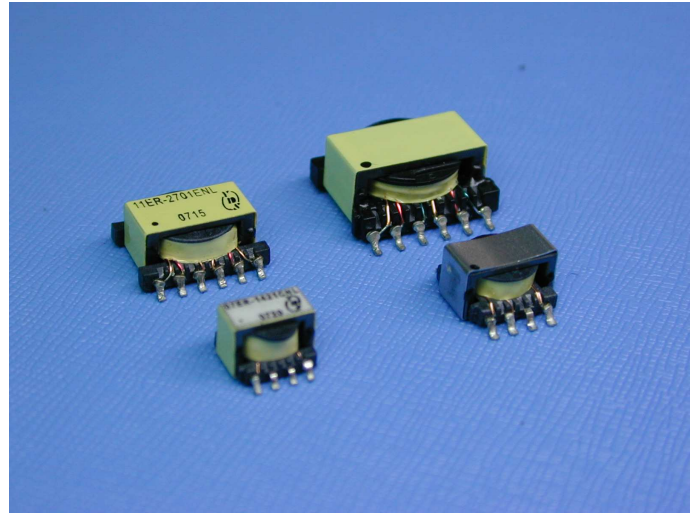
FEATURES

- HIGH FREQUENCY POWER TRANSFORMER
- HIGH FREQUENCY SWITCHING TRANSFORMER
- INDUCTORS TRANSFORMER
- WIDE VARIETY OF OTHER SIZES AND VALUES AVAILABLE

Part Number: 11ER

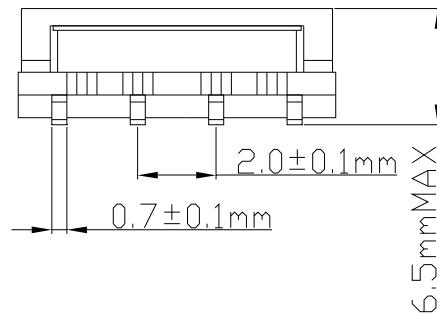
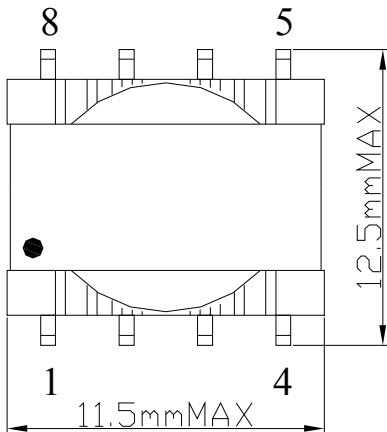
07ER -142 1 C NL
 A B C D E

A:Series
 B:Inductance
 C:Sequence id
 D:Schematics
 E:ROHS

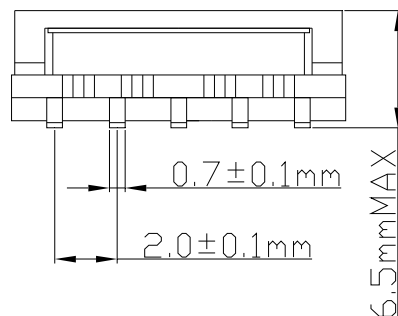
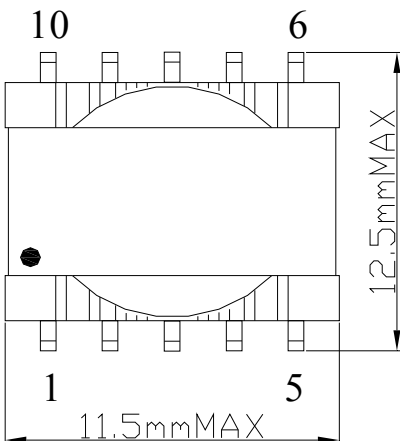


MARKINGS AND DIMENSION

A



B



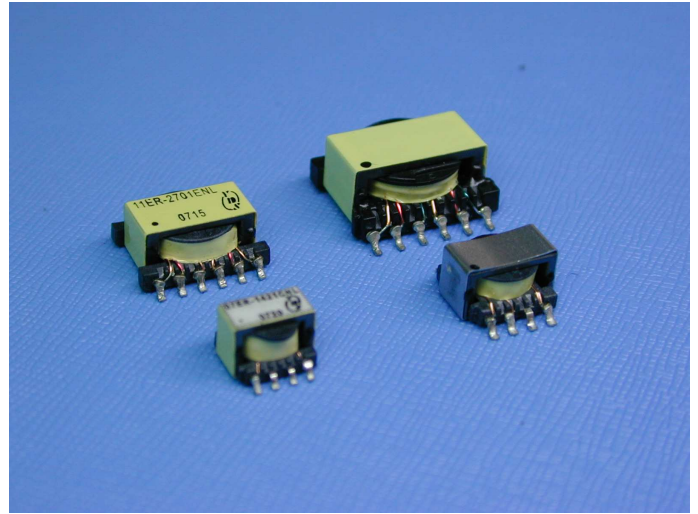
FEATURES

- HIGH FREQUENCY POWER TRANSFORMER
- HIGH FREQUENCY SWITCHING TRANSFORMER
- INDUCTORS TRANSFORMER
- WIDE VARIETY OF OTHER SIZES AND VALUES AVAILABLE

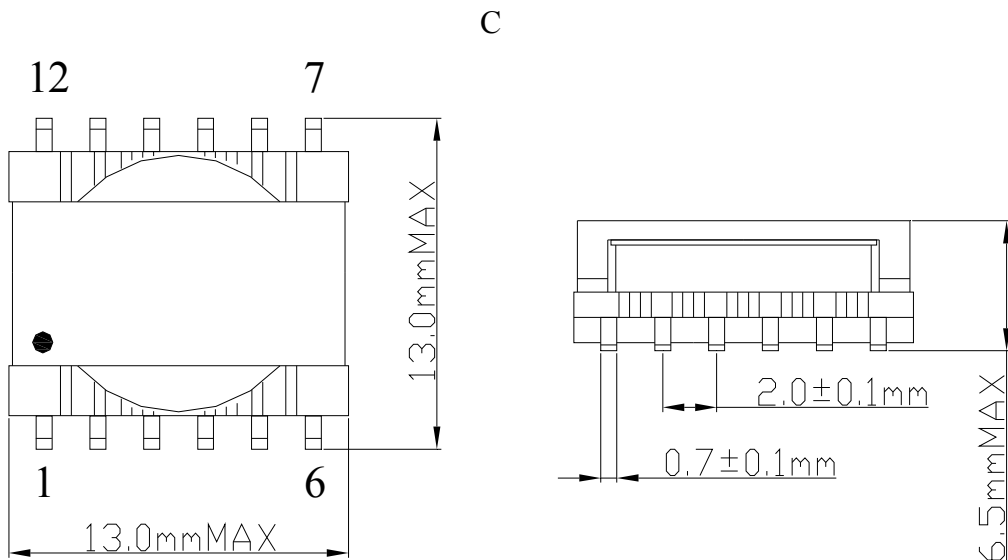
Part Number: 11ER

07ER -142 1 C NL
 A B C D E

A:Series
 B:Inductance
 C:Sequence id
 D:Schematics
 E:ROHS



MARKINGS AND DIMENSION



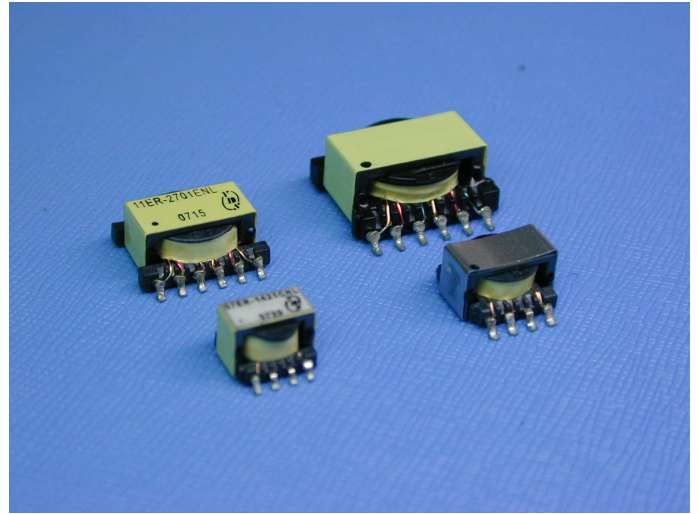
FEATURES

- HIGH FREQUENCY POWER TRANSFORMER
- HIGH FREQUENCY SWITCHING TRANSFORMER
- INDUCTORS TRANSFORMER
- WIDE VARIETY OF OTHER SIZES AND VALUES AVAILABLE

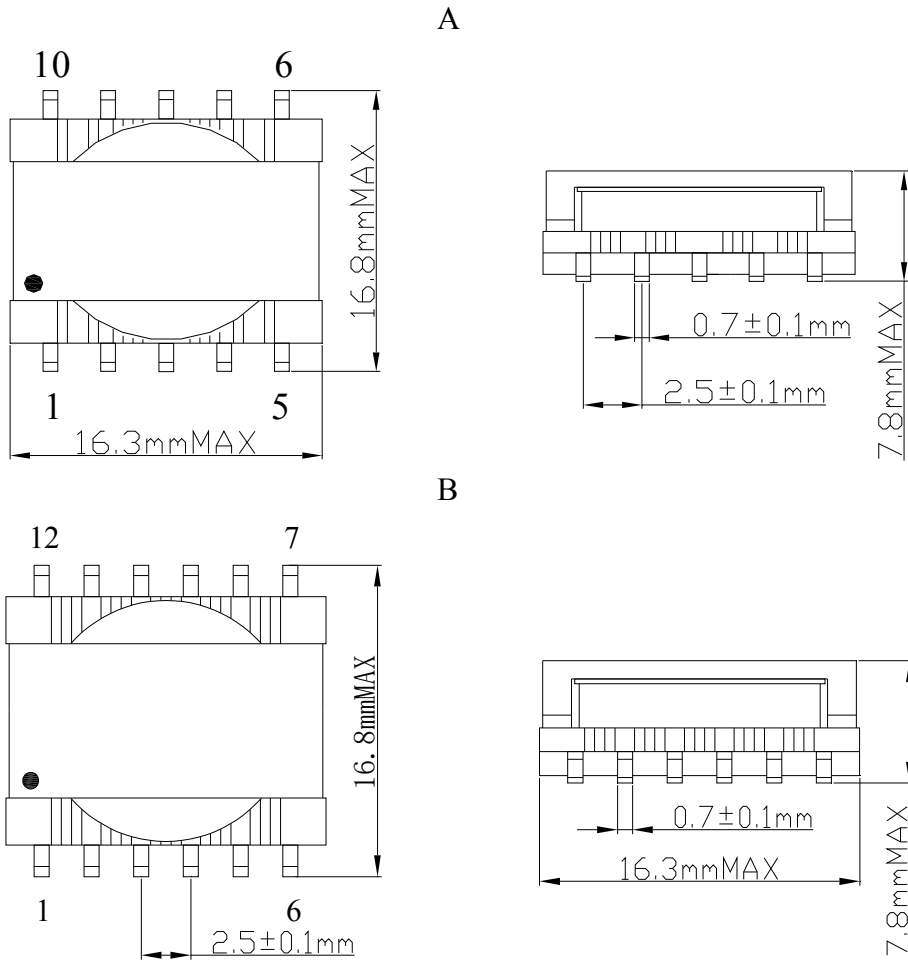
Part Number: 14ER

07ER - 142 1 C NL
 A B C D E

A:Series
 B:Inductance
 C:Sequence id
 D:Schematics
 E:ROHS



MARKINGS AND DIMENSION



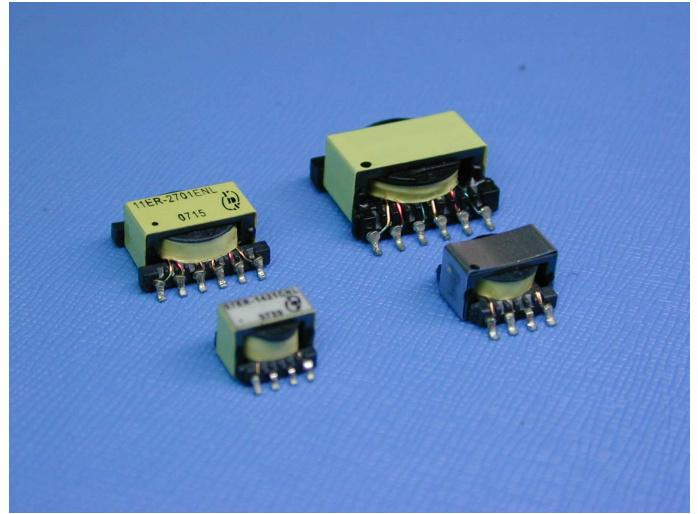
FEATURES

- HIGH FREQUENCY POWER TRANSFORMER
- HIGH FREQUENCY SWITCHING TRANSFORMER
- INDUCTORS TRANSFORMER
- WIDE VARIETY OF OTHER SIZES AND VALUES AVAILABLE

Part Number: 35ER

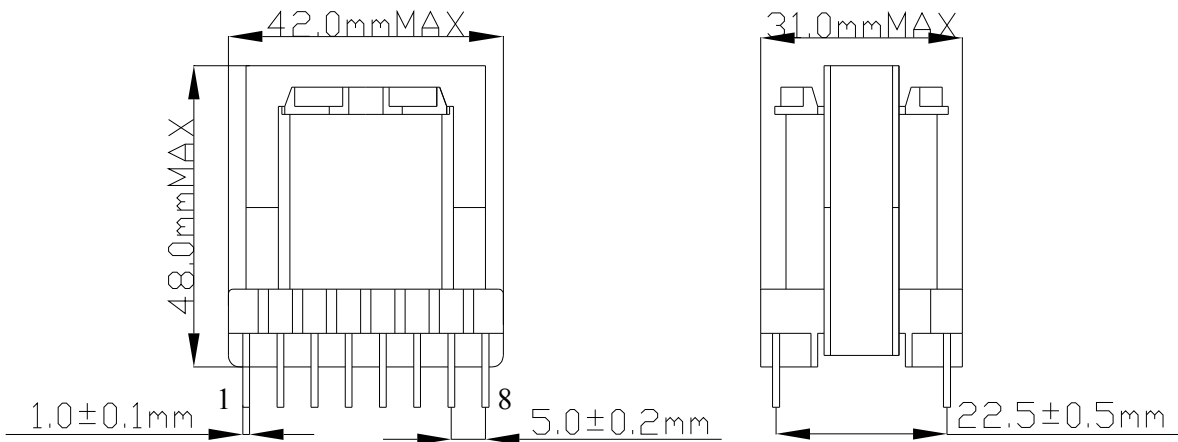
07ER - 142 1 C NL
 A B C D E

A:Series
 B:Inductance
 C:Sequence id
 D:Schematics
 E:ROHS



MARKINGS AND DIMENSION

A



B

