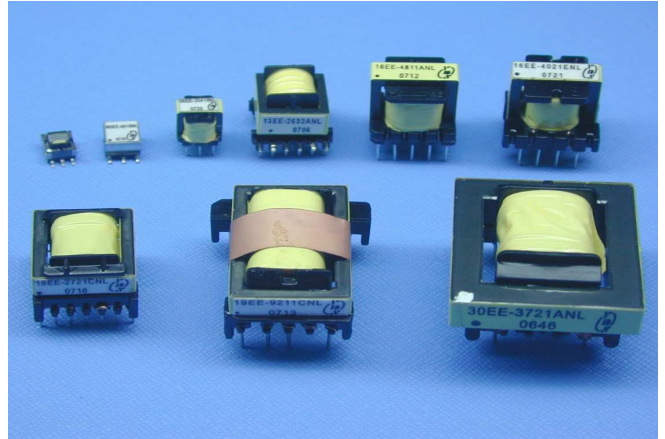


FEATURES

- HIGH FREQUENCY POWER TRANSFORMER
- HIGH FREQUENCY SWITCHING TRANSFORMER
- CURRENT SENSORS
- WIDE VARIETY OF OTHER SIZES AND VALUES AVAILABLE

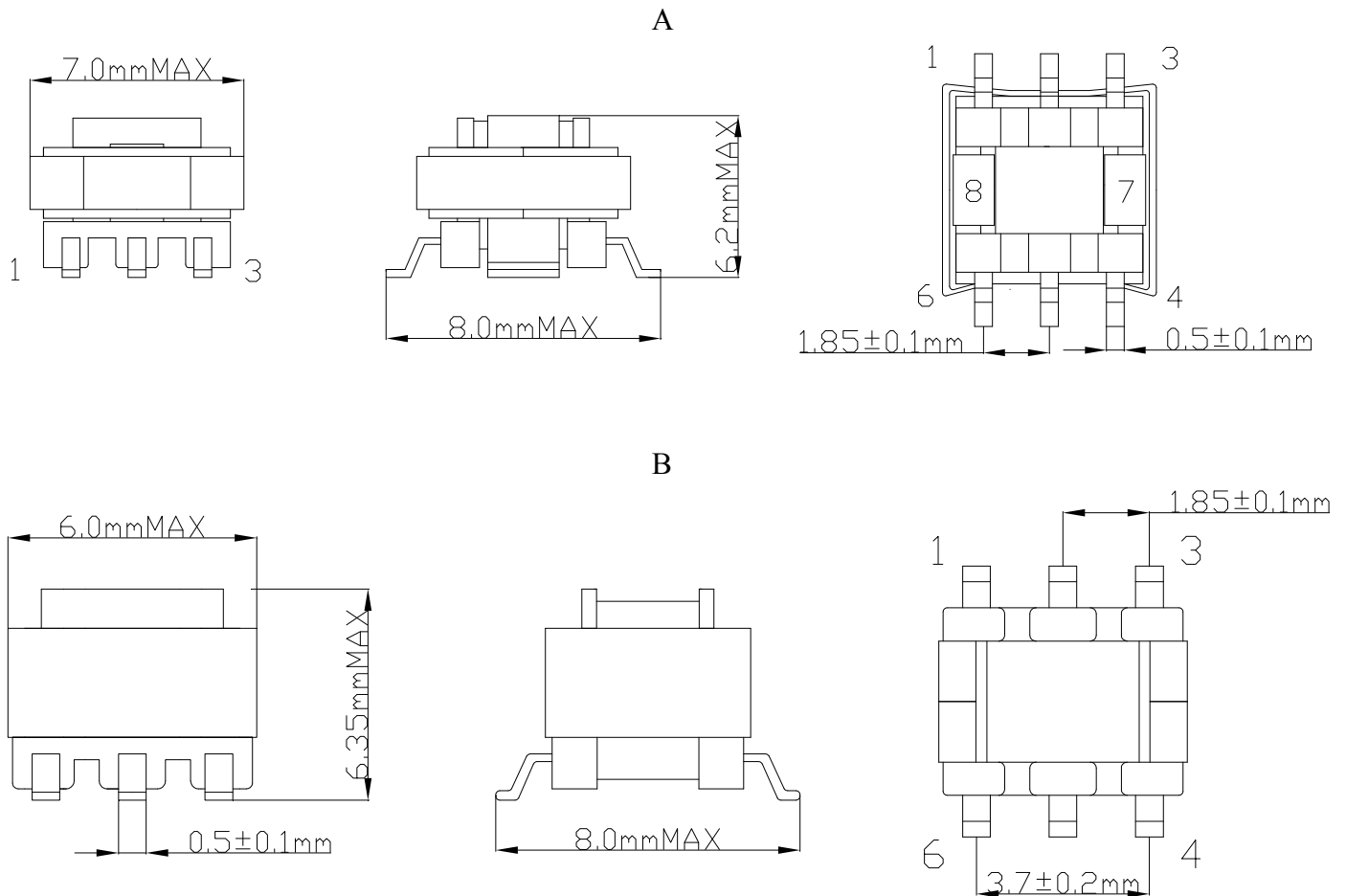


Part Number: 05SEE

05SEE-121 1 A NL
 A B C D E

A:Series S:SMD NO S:DIP
 B:Inductance
 C:Sequence id
 D:Schematics
 E:ROHS

MARKINGS AND DIMENSION



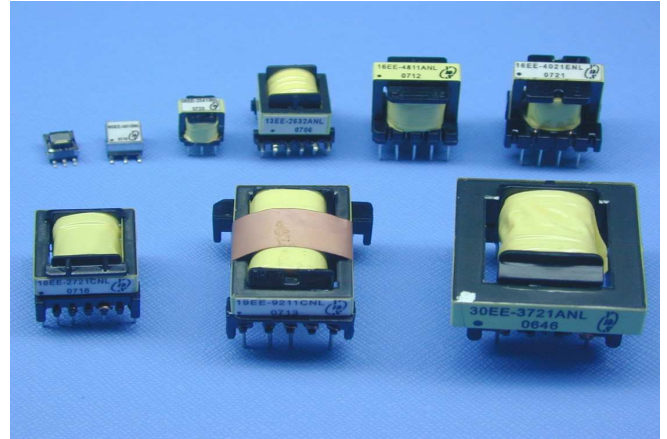
FEATURES

- HIGH FREQUENCY POWER TRANSFORMER
- HIGH FREQUENCY SWITCHING TRANSFORMER
- CURRENT SENSORS
- WIDE VARIETY OF OTHER SIZES AND VALUES AVAILABLE

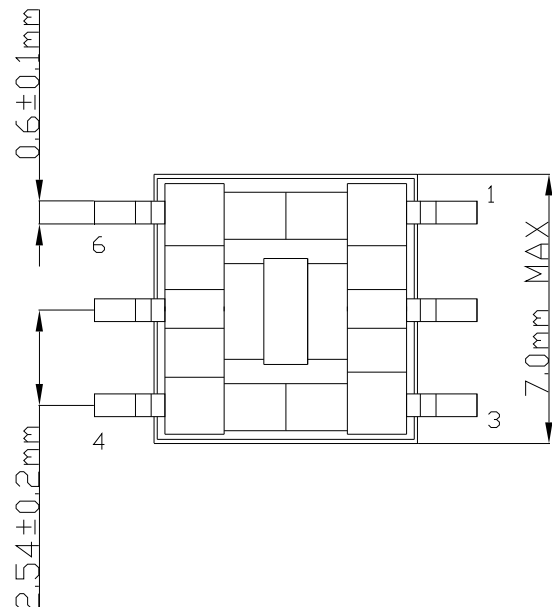
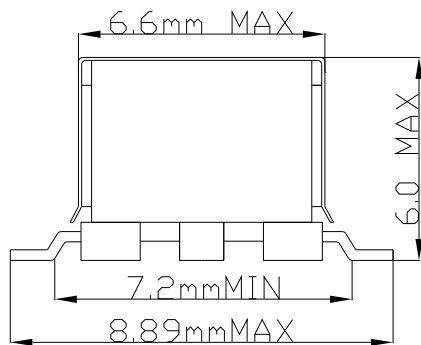
Part Number: 06SEE

05SEE-121 1 A NL
 A B C D E

A:Series S:SMD NO S:DIP
 B:Inductance
 C:Sequence id
 D:Schematics
 E:ROHS



MARKINGS AND DIMENSION



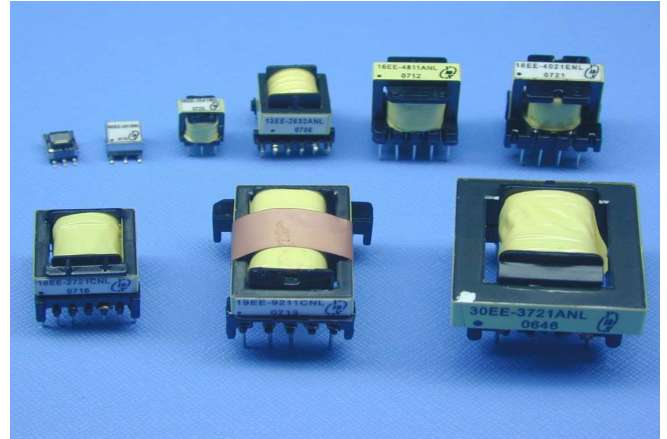
FEATURES

- HIGH FREQUENCY POWER TRANSFORMER
- HIGH FREQUENCY SWITCHING TRANSFORMER
- CURRENT SENSORS
- WIDE VARIETY OF OTHER SIZES AND VALUES AVAILABLE

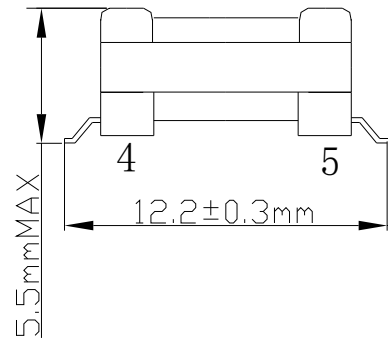
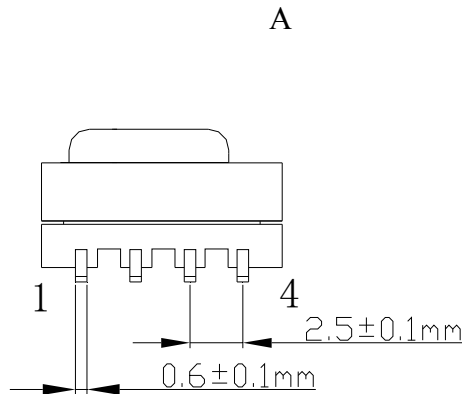
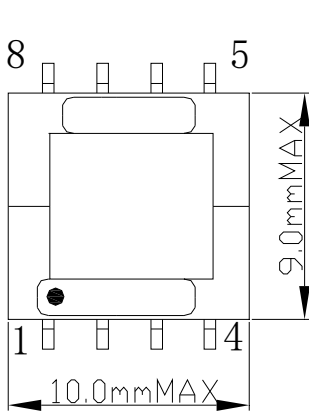
Part Number: 08SEE/08EE

05SEE-121 1 A NL
 A B C D E

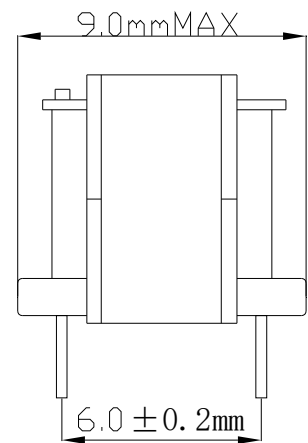
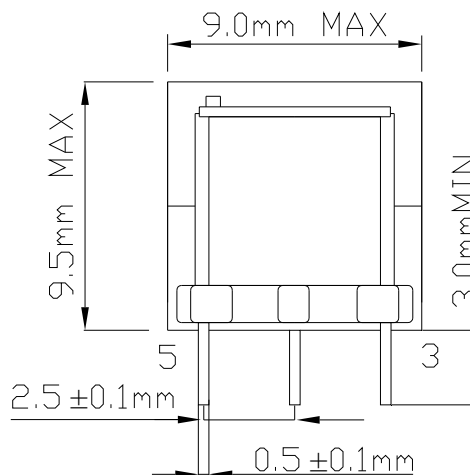
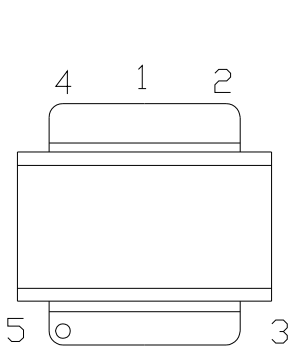
A:Series S:SMD NO S:DIP
 B:Inductance
 C:Sequence id
 D:Schematics
 E:ROHS



MARKINGS AND DIMENSION

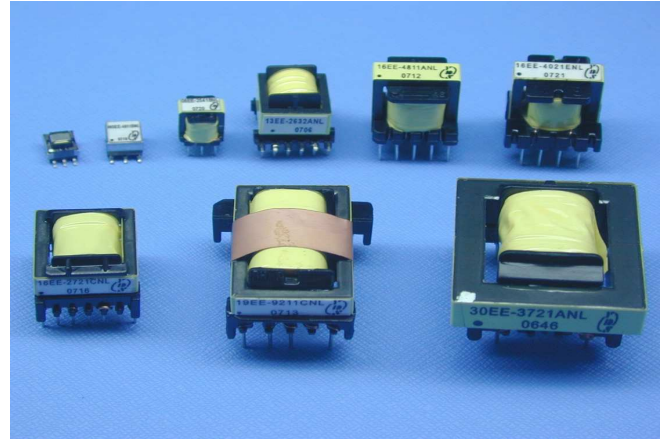


B



FEATURES

- HIGH FREQUENCY POWER TRANSFORMER
- HIGH FREQUENCY SWITCHING TRANSFORMER
- CURRENT SENSORS
- WIDE VARIETY OF OTHER SIZES AND VALUES AVAILABLE

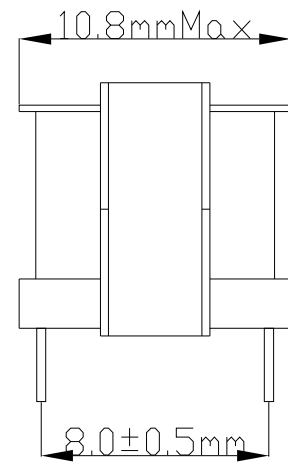
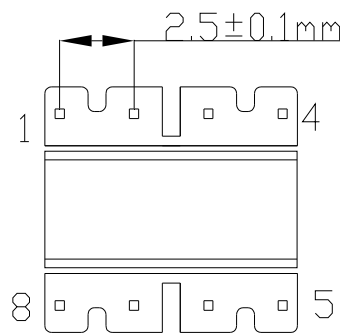
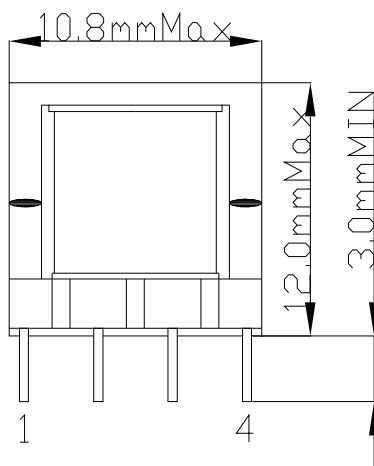


Part Number: 10EE

05SEE-121 1 A NL
 A B C D E

A:Series S:SMD NO S:DIP
 B:Inductance
 C:Sequence id
 D:Schematics
 E:ROHS

MARKINGS AND DIMENSION



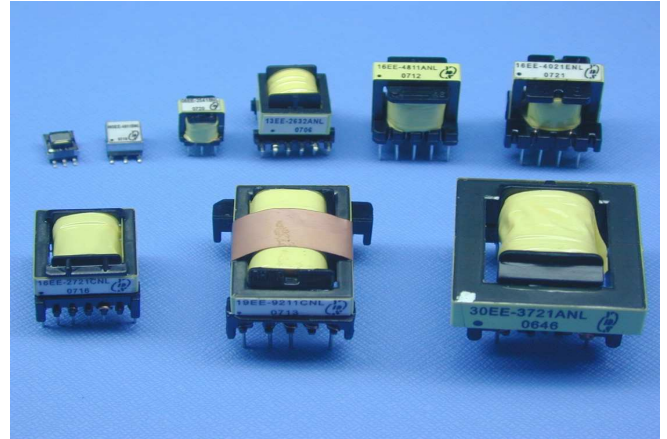
FEATURES

- HIGH FREQUENCY POWER TRANSFORMER
- HIGH FREQUENCY SWITCHING TRANSFORMER
- CURRENT SENSORS
- WIDE VARIETY OF OTHER SIZES AND VALUES AVAILABLE

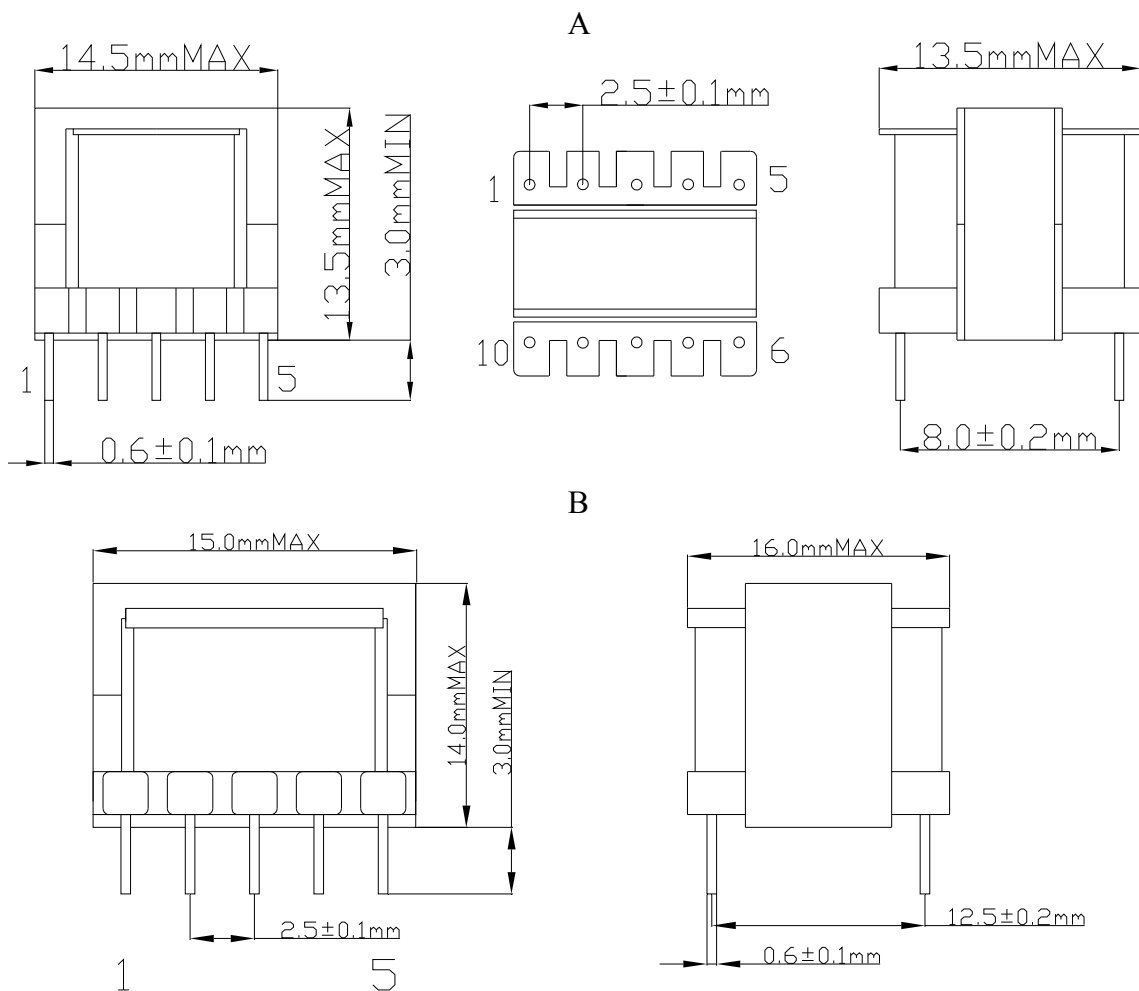
Part Number: 13EE

05SEE-121 1 A NL
 A B C D E

A:Series S:SMD NO S:DIP
 B:Inductance
 C:Sequence id
 D:Schematics
 E:ROHS



MARKINGS AND DIMENSION



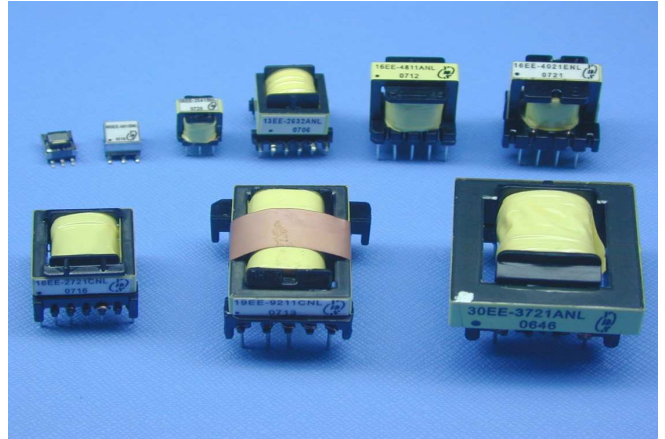
FEATURES

- HIGH FREQUENCY POWER TRANSFORMER
- HIGH FREQUENCY SWITCHING TRANSFORMER
- CURRENT SENSORS
- WIDE VARIETY OF OTHER SIZES AND VALUES AVAILABLE

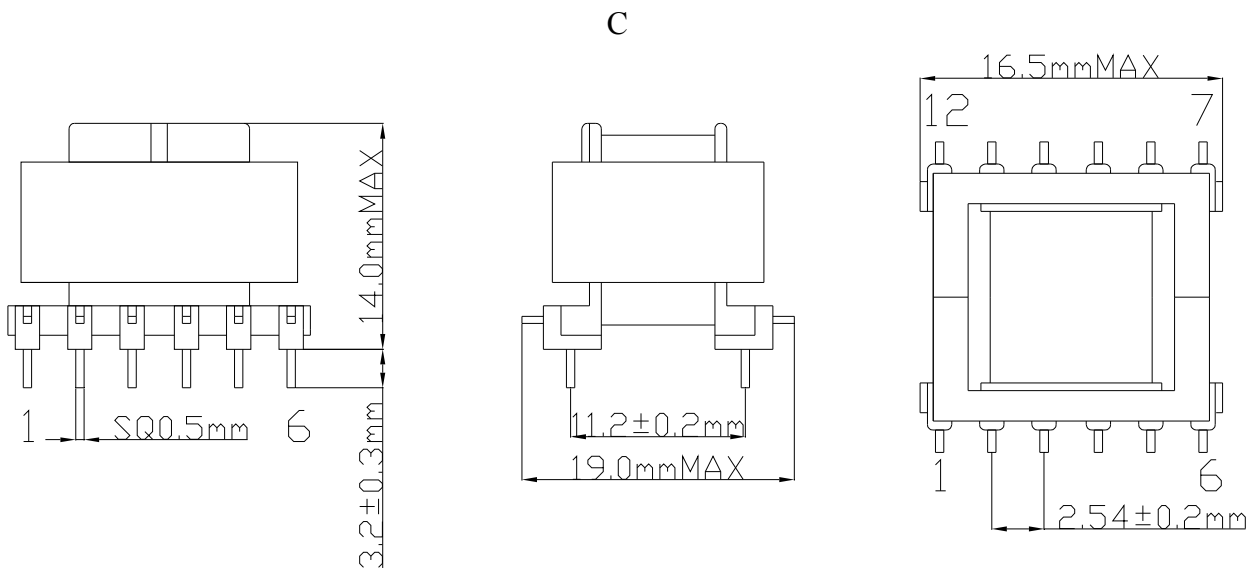
Part Number: 13EE

05SEE-121 1 A NL
 A B C D E

A:Series S:SMD NO S:DIP
 B:Inductance
 C:Sequence id
 D:Schematics
 E:ROHS

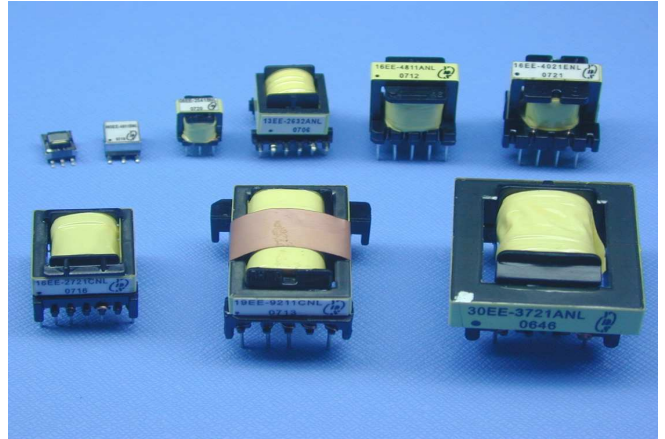


MARKINGS AND DIMENSION



FEATURES

- HIGH FREQUENCY POWER TRANSFORMER
- HIGH FREQUENCY SWITCHING TRANSFORMER
- CURRENT SENSORS
- WIDE VARIETY OF OTHER SIZES AND VALUES AVAILABLE

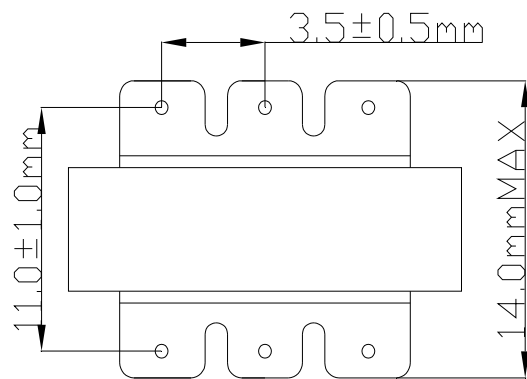
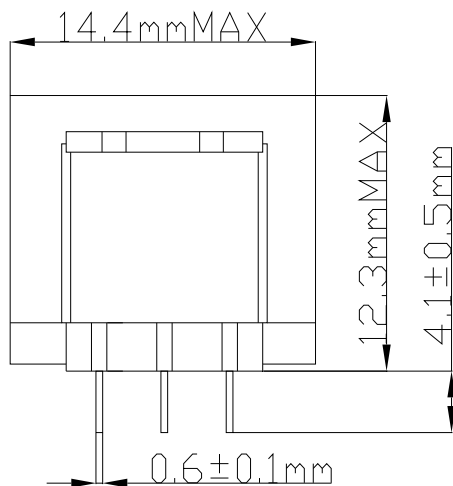


Part Number: 14EE

05SEE-121 1 A NL
A B C D E

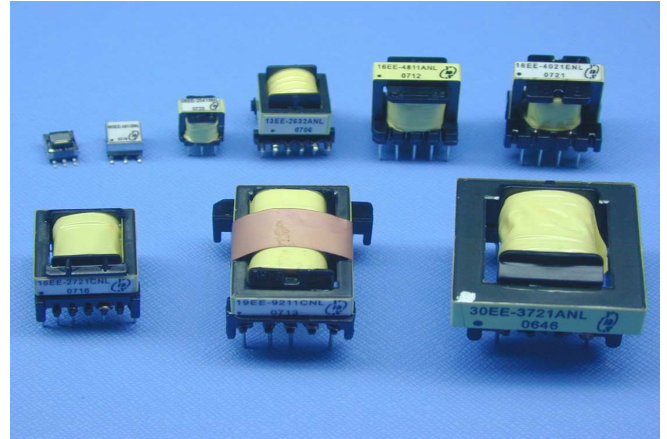
A:Series S:SMD NO S:DIP
B:Inductance
C:Sequence id
D:Schematics
E:ROHS

MARKINGS AND DIMENSION



FEATURES

- HIGH FREQUENCY POWER TRANSFORMER
- HIGH FREQUENCY SWITCHING TRANSFORMER
- CURRENT SENSORS
- WIDE VARIETY OF OTHER SIZES AND VALUES AVAILABLE



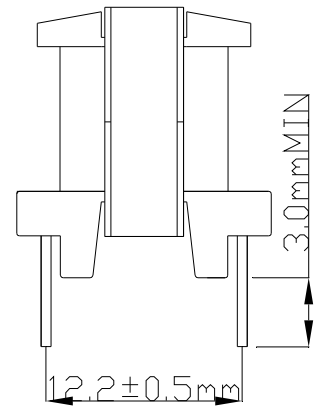
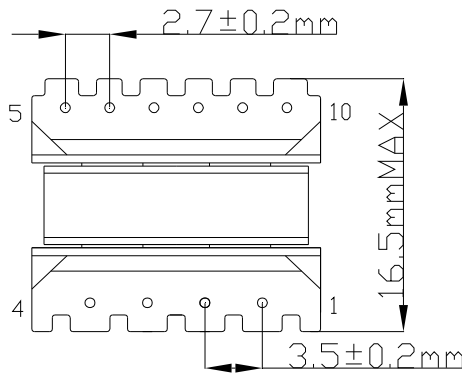
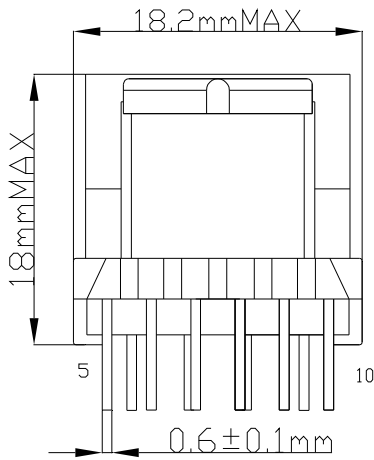
Part Number: 16EE

05SEE-121 1 A NL
 A B C D E

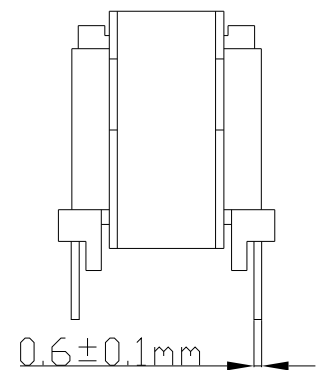
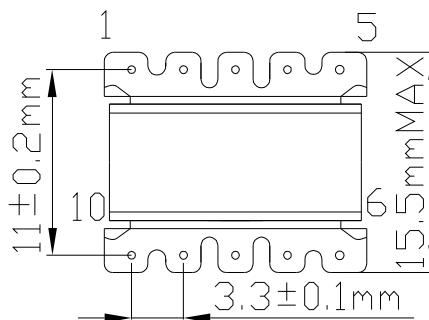
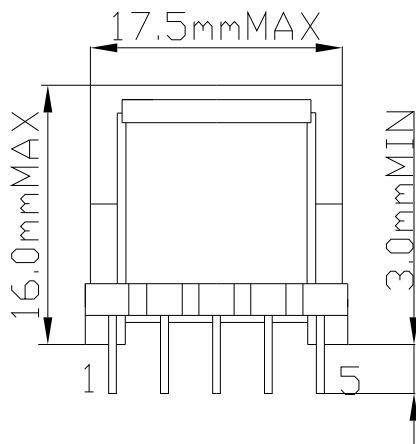
A:Series S:SMD NO S:DIP
 B:Inductance
 C:Sequence id
 D:Schematics
 E:ROHS

MARKINGS AND DIMENSION

A



B



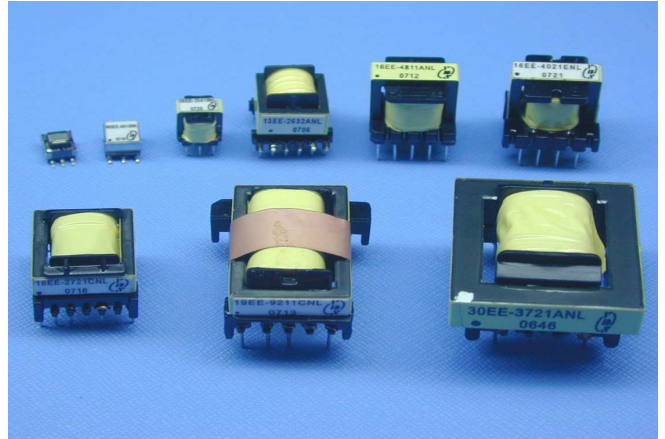
FEATURES

- HIGH FREQUENCY POWER TRANSFORMER
- HIGH FREQUENCY SWITCHING TRANSFORMER
- CURRENT SENSORS
- WIDE VARIETY OF OTHER SIZES AND VALUES AVAILABLE

Part Number: 16EE

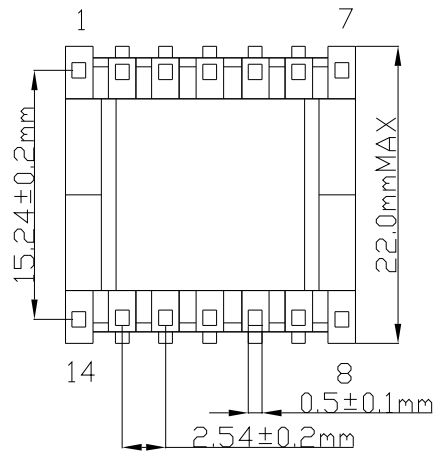
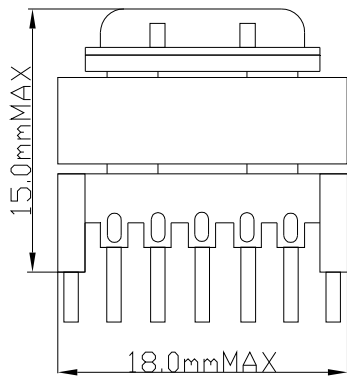
05SEE-121 1 A NL
 A B C D E

A:Series S:SMD NO S:DIP
 B:Inductance
 C:Sequence id
 D:Schematics
 E:ROHS

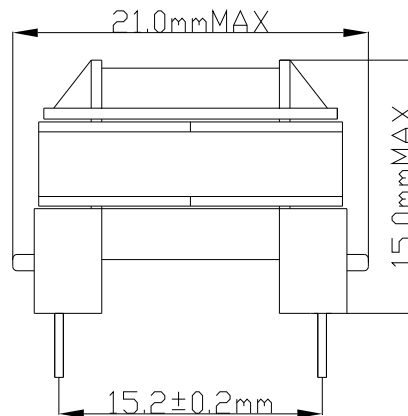
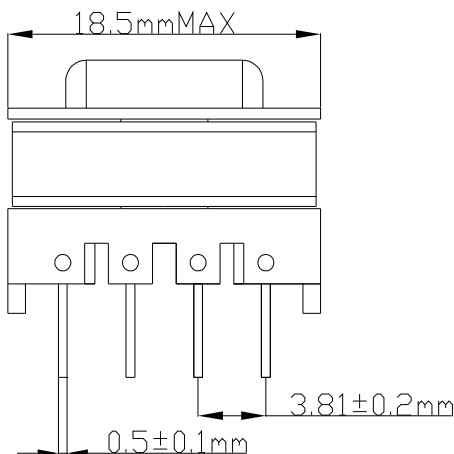


MARKINGS AND DIMENSION

C

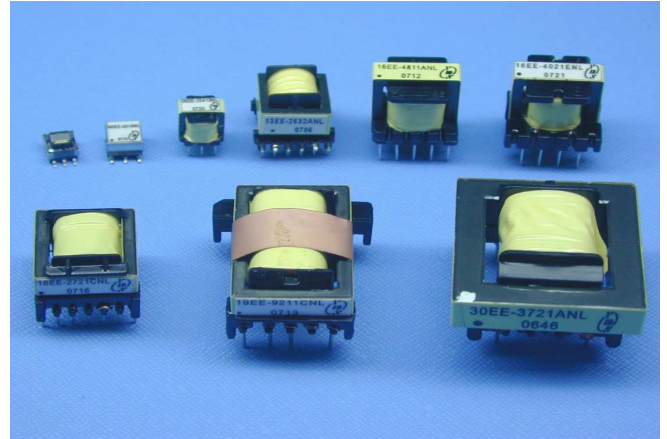


D



FEATURES

- HIGH FREQUENCY POWER TRANSFORMER
- HIGH FREQUENCY SWITCHING TRANSFORMER
- CURRENT SENSORS
- WIDE VARIETY OF OTHER SIZES AND VALUES AVAILABLE

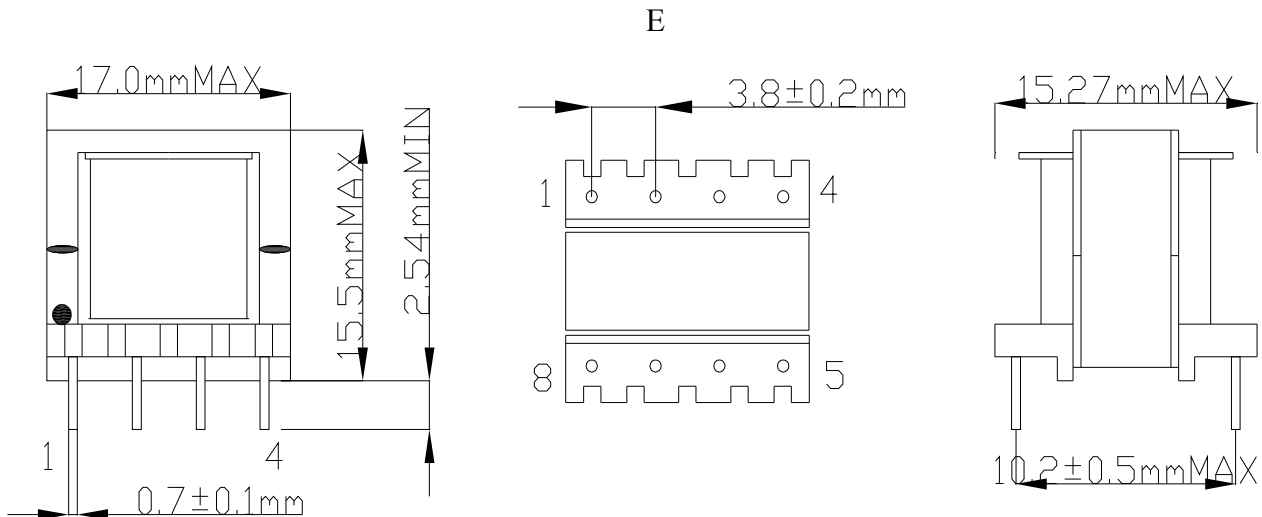


Part Number: 16EE

05SEE-121 1 A NL
 A B C D E

A:Series S:SMD NO S:DIP
 B:Inductance
 C:Sequence id
 D:Schematics
 E:ROHS

MARKINGS AND DIMENSION



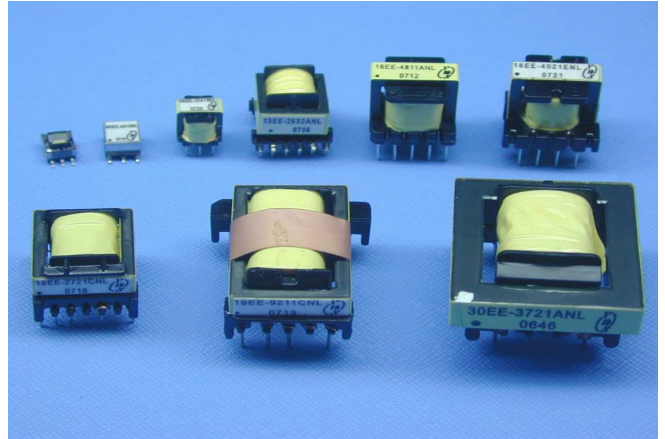
FEATURES

- HIGH FREQUENCY POWER TRANSFORMER
- HIGH FREQUENCY SWITCHING TRANSFORMER
- CURRENT SENSORS
- WIDE VARIETY OF OTHER SIZES AND VALUES AVAILABLE

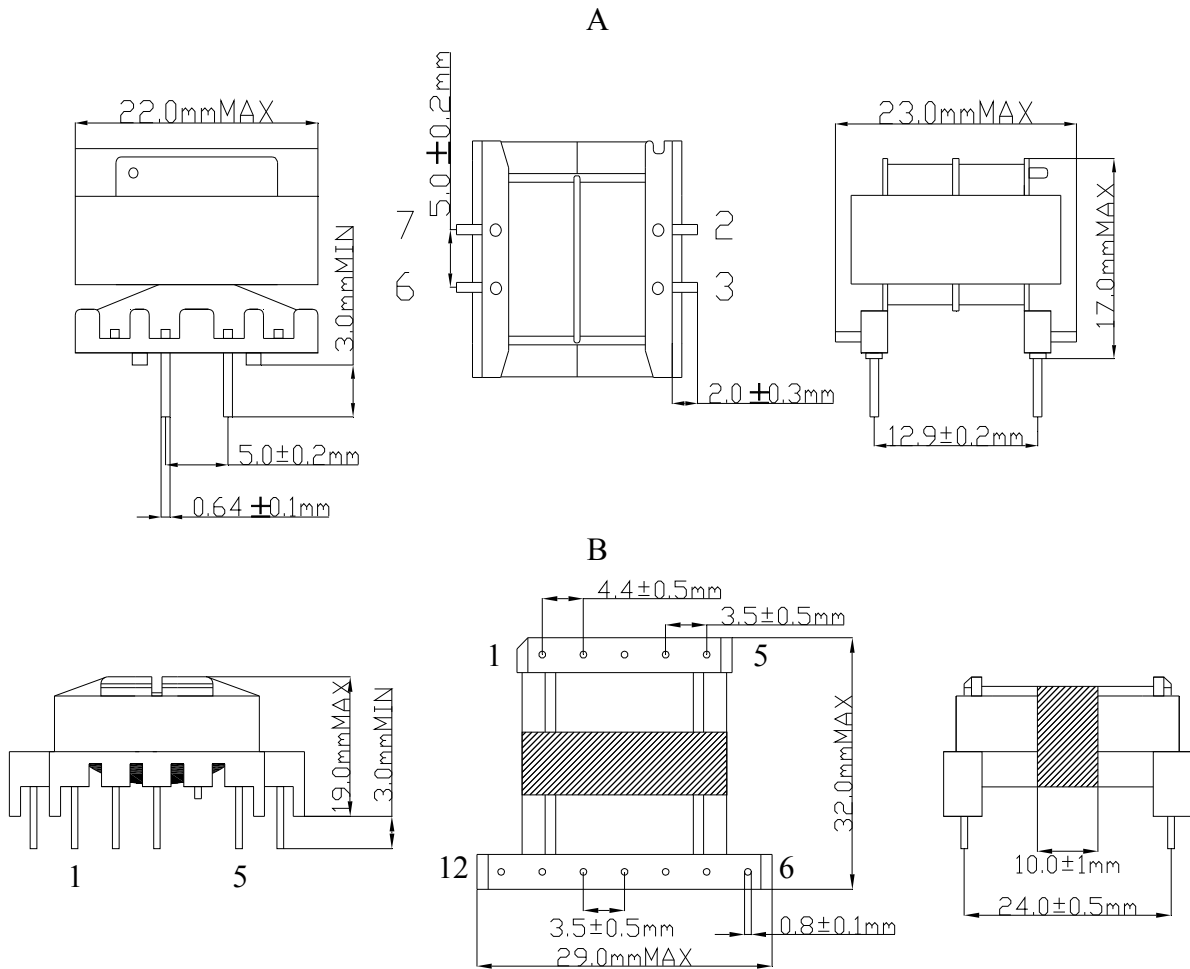
Part Number: 19EE

05SEE-121 1 A NL
 A B C D E

A:Series S:SMD NO S:DIP
 B:Inductance
 C:Sequence id
 D:Schematics
 E:ROHS

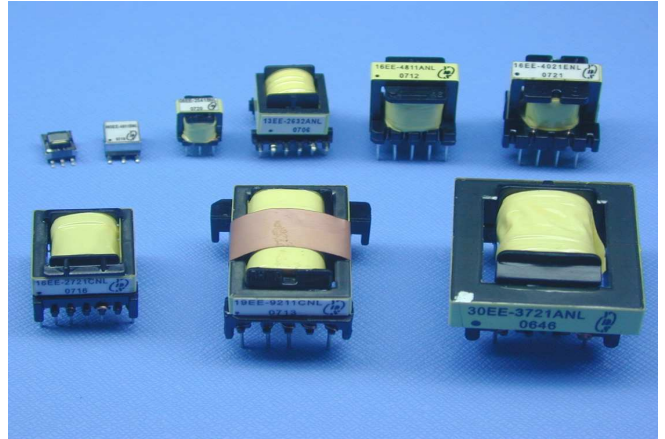


MARKINGS AND DIMENSION



FEATURES

- HIGH FREQUENCY POWER TRANSFORMER
- HIGH FREQUENCY SWITCHING TRANSFORMER
- CURRENT SENSORS
- WIDE VARIETY OF OTHER SIZES AND VALUES AVAILABLE

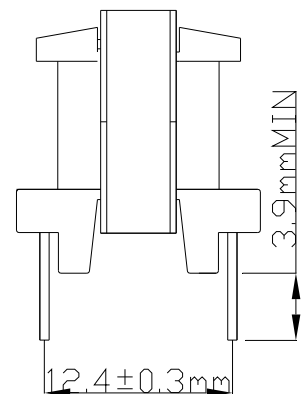
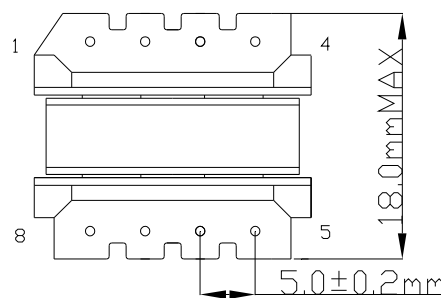
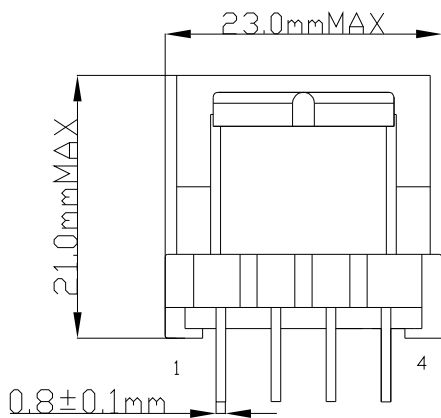


Part Number: 22EE

05 S E E - 121 1 A NL
 A B C D E

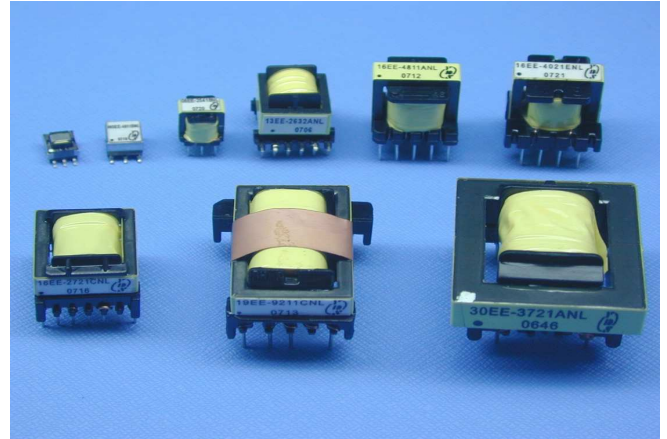
A:Series S:SMD NO S:DIP
 B:Inductance
 C:Sequence id
 D:Schematics
 E:ROHS

MARKINGS AND DIMENSION



FEATURES

- HIGH FREQUENCY POWER TRANSFORMER
- HIGH FREQUENCY SWITCHING TRANSFORMER
- CURRENT SENSORS
- WIDE VARIETY OF OTHER SIZES AND VALUES AVAILABLE



Part Number: 30EE

05SEE-121 1 A NL
 A B C D E

A:Series S:SMD NO S:DIP
 B:Inductance
 C:Sequence id
 D:Schematics
 E:ROHS

MARKINGS AND DIMENSION

